

MICRON CONTROL TRANSFORMERS
800 664-4660
www.MicronPower.com

50VA
PRIMARY:
208/230/460

SECONDARY:
24/115

FREQUENCY:
50Hz/60Hz

QTY. 1

LISTED 702X

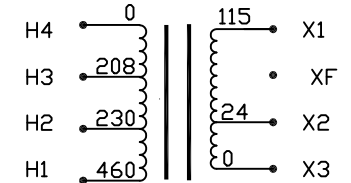
MADE IN USA

CAT. **B050-2000-1**

B050-2000-1

37194

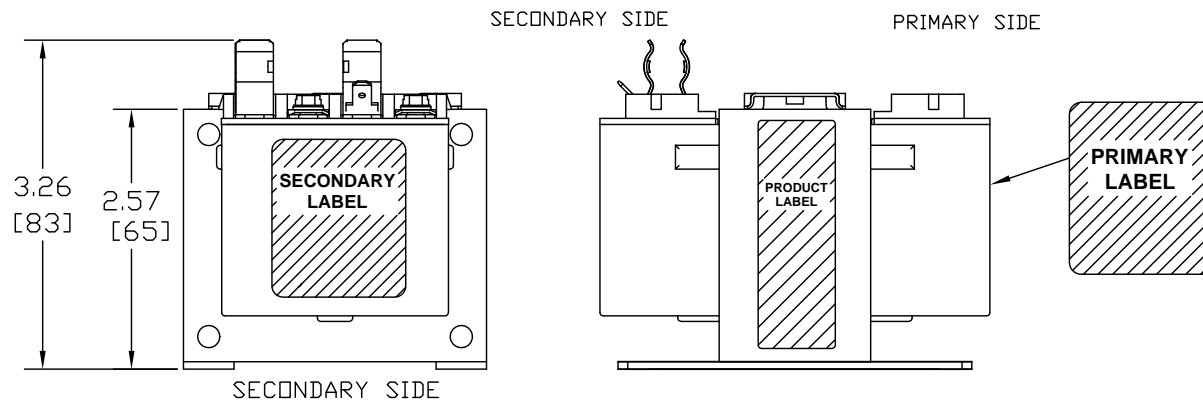
Transformer Specifications	
PRIMARY VOLTAGE(S)	208/230/460 (TRIPLE RATED)
SECONDARY VOLTAGE(S)	24/115
RATED V.A.	50
RATED FREQUENCY	50/60
INSULATION CLASS	105
AGENCY APPROVALS	UL, CUL
ESTIMATED WEIGHT	4.3 LBS



CONNECTION DIAGRAM

NOTES:

1. ALL MEASUREMENTS IN INCHES (MM)
2. TERMINAL SCREWS ARE COMBO #8-32 PHIL-SLOT-1/4" HEX WITH SEMS WASHER.
3. SECONDARY FUSE CLIP ACCOMMODATES ONE 13/32" X 1-1/2" MIDGET FUSE.



H4 H3 H2 H1

ImperviTRAN®
U.S. PAT. NO. 3518040

MICRON CONTROL TRANSFORMERS
800 664-4660
www.MicronTransformers.com

50 VA
50/60 HZ
TEMP CL 105 °C

LISTED 702X

CAT. NO. **B050-2000-1**

37194

X3 X2 XF X1

SEE TABLE FOR CONNECTIONS

CAT. NO. **B050-2000-1**

	INPUT VOLTAGE			OUTPUT VOLTAGE	
	H4-H3	H4-H2	H4-H1	XF-X2	XF-X1
	--	240	480	25	120
	208	230	460	24	115
	200	220	440	23	110

NOTE: IF BOTH OUTPUTS ARE USED SIMULTANEOUSLY, FUSING SHOULD BE DONE OFF OF THE TRANSFORMER, WITH X3 REPLACING XF.

PACKAGED ACCESSORIES			
1			
-			

MICRON CONTROL TRANSFORMER

MICRON INDUSTRIES CORPORATION
1211 W 22nd STREET, Suite 200, OAK BROOK, ILL
Tel: (800)664-4660, (630)516-1222 Fax: (630)516-1820
www.MicronPower.com

DATE	9/13/19	DRAWN	JAW	CHECKED	APPROVED
RELEASE DATE		CUSTOMER PART NO.			
MICRON PART NO.		B050-2000-1A3			
SIZE	C	SCALE	NONE		
A 13 CONST/BASE		AN006426	JW	9/13/19	
ECL	REVISIONS		BY	DATE	
					B050-2000-1