

MICRON
CONTROL
TRANSFORMERS
800 664-4660
www.MicronPower.com

50VA
PRIMARY:
208/230/460

SECONDARY:
24/115

FREQUENCY:
50Hz/60Hz

QTY. 1

LISTED
702X

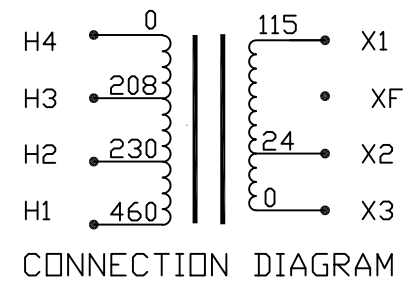
MADE IN USA

CAT.
B050-2000-8

B050-2000-8

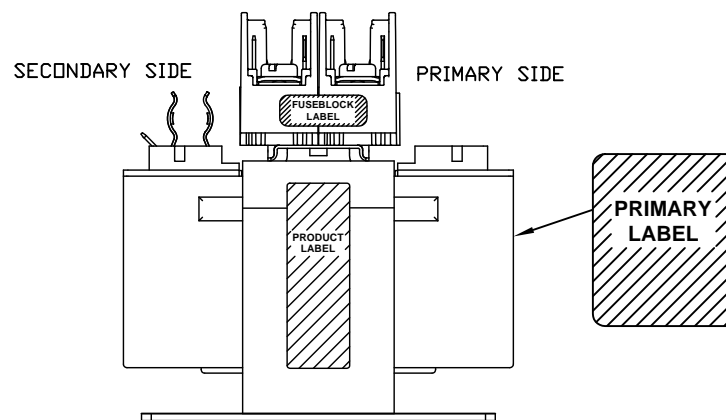
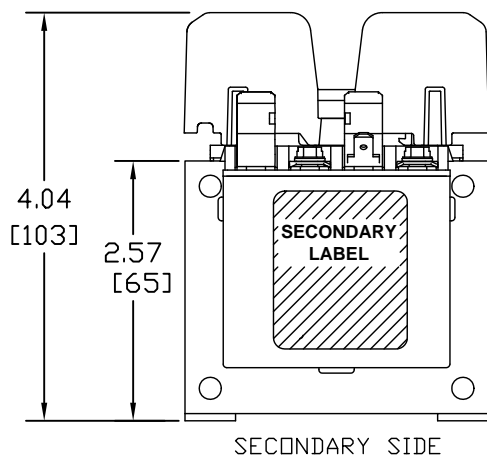
37194

Transformer Specifications	
PRIMARY VOLTAGE(S)	208/230/460 (TRIPLE RATED)
SECONDARY VOLTAGE(S)	24/115
RATED V.A.	50
RATED FREQUENCY	50/60
INSULATION CLASS	105
AGENCY APPROVALS	UL, CUL
ESTIMATED WEIGHT	4.3 LBS



NOTES:

1. ALL MEASUREMENTS IN INCHES (MM)
2. TERMINAL SCREWS ARE COMBO #8-32 PHIL-SLOT-1/4" HEX WITH SEMS WASHER.
3. 2 POLE, CLASS "CC" PRIMARY FUSE BLOCK, ACCOMMODATES TWO 13/32" X 1-1/2" CLASS "CC" FUSES.
4. SECONDARY FUSE CLIP ACCOMMODATES ONE 13/32" X 1-1/2" MIDGET FUSE.



H4	H3	H2	H1	X3	X2	XF	X1
<p>U.S. PAT. NO. 3518040</p> <p>MICRON CONTROL TRANSFORMERS 800 664-4660 www.MicronTransformers.com</p> <p>50 VA 50/60 HZ</p> <p>TEMP CL 105 °C</p> <p> LISTED 702X</p> <p>CAT. NO. B050-2000-8 39192</p>							
<p>SEE TABLE FOR CONNECTIONS</p> <p>CAT. NO. B050-2000-8</p>							

	INPUT VOLTAGE			OUTPUT VOLTAGE	
	H4-H3	H4-H2	H4-H1	XF-X2	XF-X1
	-	240	480	25	120
	208	230	460	24	115
	200	220	440	23	110

NOTE: IF BOTH OUTPUTS ARE USED SIMULTANEOUSLY, REPLACE XF WITH X3 AND FUSE THROUGH X2 AND X1 IF REQUIRED

PACKAGED ACCESSORIES			
1			
-			

MICRON
CONTROL
TRANSFORMER

MICRON INDUSTRIES CORPORATION
1211 W 22nd STREET, Suite 200, DAK BROOK, ILL.
Tel: (800)664-4660, (630)516-1222 Fax: (630)516-1820
www.MicronPower.com

DATE	9/13/19	DRAWN	JAW	CHECKED		APPROVED	
RELEASE DATE		CUSTOMER PART NO.					
MICRON PART NO.	B050-2000-8A3						
SIZE	B050-2000-8B3						
SCALE	NONE		B050-2000-8				
A	I3 CONST/BASE	AN006426	JW	9/13/19			
ECL	REVISIONS		BY	DATE			