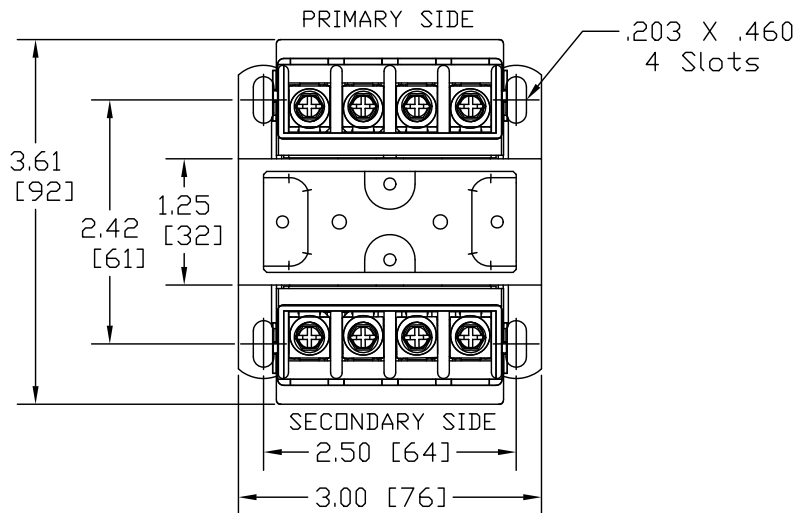
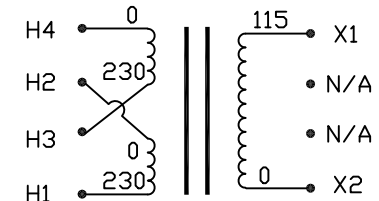


Transformer Specifications	
PRIMARY VOLTAGE(S)	230x460 TRIPLE RATED
SECONDARY VOLTAGE(S)	115
RATED V.A.	50
RATED FREQUENCY	50/60
INSULATION CLASS	105
AGENCY APPROVALS	UL, CUL, IEC558-2-2
ESTIMATED WEIGHT	2.8 LBS

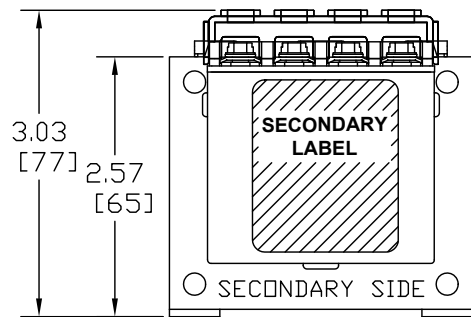


PRIMARY SIDE

SECONDARY SIDE

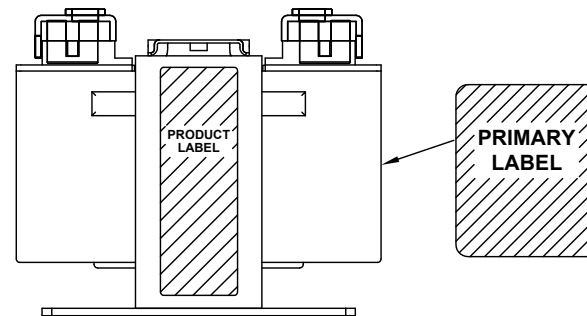


CONNECTION DIAGRAM



SECONDARY SIDE

PRIMARY SIDE



NOTES:

1. ALL MEASUREMENTS IN INCHES (MM)
2. TERMINAL SCREWS ARE COMBO #8-32 PHIL-SLOT-1/4" HEX WITH SEMS WASHER.
3. IP-20 TERMINAL COVERS INSTALLED

PACKAGED ACCESSORIES

1 ONE PAIR OF JUMPERS

MICRON INDUSTRIES CORPORATION
 1211 W. 22nd STREET, Suite 200, OAK BROOK, ILL.
 Tel: (800)664-4660, (630)516-1222 Fax: (630)516-1820
 www.MicronPower.com

DATE 12/29/09 DRAWN J.G.V. CHECKED APPROVED

RELEASE DATE CUSTOMER PART NO.

MICRON PART NO. B050-2001-GAA3
B050-2001-GAB3

SIZE C SCALE NONE B050-2001-GA

A	I3 CONSTRUCTION	AN00XXXX	XX	XXXX
ECL	REVISIONS		BY	DATE