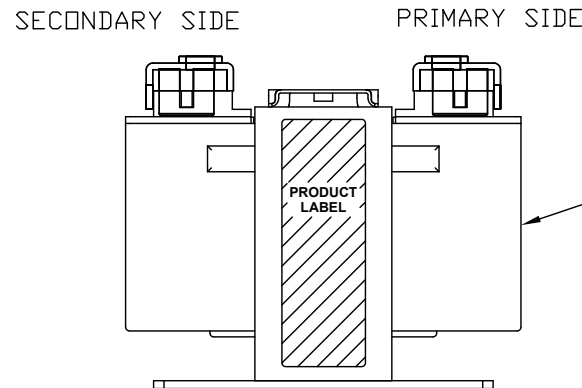
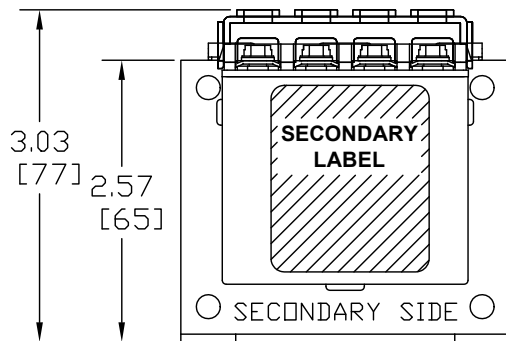
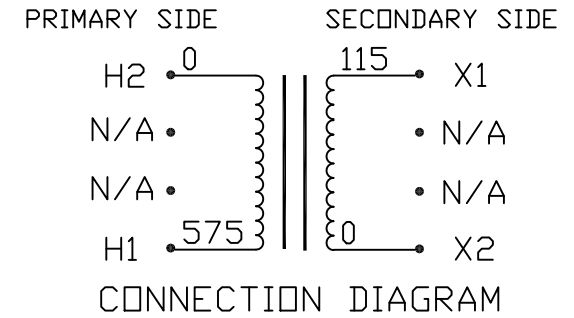
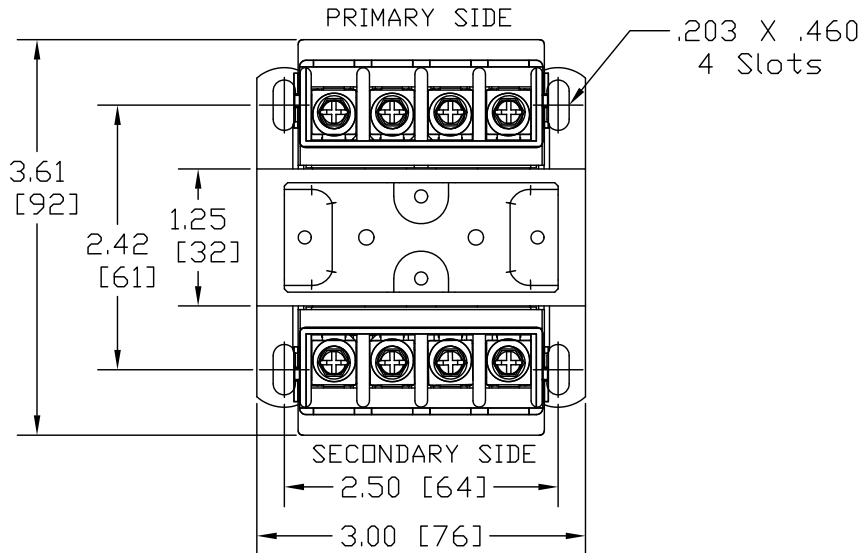


| Transformer Specifications | |
|----------------------------|---------------------|
| PRIMARY VOLTAGE(S) | 575 (TRIPLE RATED) |
| SECONDARY VOLTAGE(S) | 115 |
| RATED V.A. | 50 |
| RATED FREQUENCY | 50/60 |
| INSULATION CLASS | 105 |
| AGENCY APPROVALS | UL, CUL, IEC558-2-2 |
| ESTIMATED WEIGHT | 2.8 LBS |



NOTES:

1. ALL MEASUREMENTS IN INCHES (MM)
2. TERMINAL SCREWS ARE COMBO #8-32 PHIL-SLOT-1/4" HEX WITH SEMS WASHER.
3. IP-20 TERMINAL COVERS INSTALLED

| PACKAGED ACCESSORIES | | | |
|---|----------------------------------|-------------------|-------|
| - | - | | |
| MICRON INDUSTRIES CORPORATION 1211 W. 22nd STREET, Suite 200, DAK BROOK, ILL. Tel. (800)664-4660, (630)516-1222 Fax (630)516-1820 www.MicronPower.com | | | |
| DATE | 12/18/09 | DRAWN | J.G.V |
| CHECKED | | APPROVED | |
| RELEASE DATE | | CUSTOMER PART NO. | |
| MICRON PART NO. | B050-2041-GAA3 B050-2041-GAB3 | | |
| SIZE | C | SCALE | NONE |
| B050-2041-GA | | | |

| | | | | |
|-----|-----------------|----------|----|------|
| A | I3 CONSTRUCTION | AN00XXXX | XX | XXXX |
| ECL | REVISIONS | | BY | DATE |