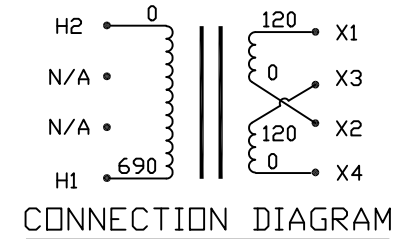
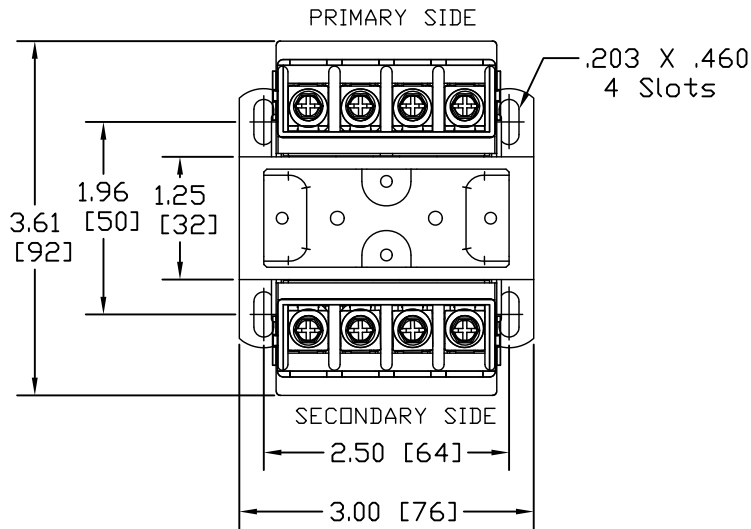
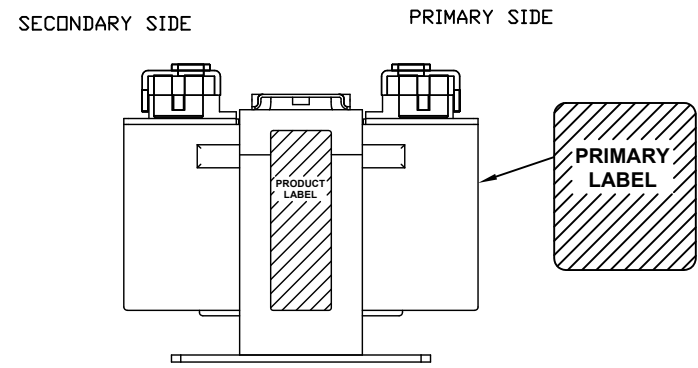
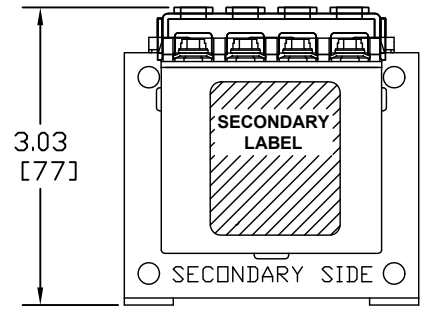


Transformer Specifications	
PRIMARY VOLTAGE(S)	690
SECONDARY VOLTAGE(S)	120x240
RATED V.A.	50
RATED FREQUENCY	50/60
INSULATION CLASS	105
AGENCY APPROVALS	NO U.L OR C.U.L APPROVALS
ESTIMATED WEIGHT	2.7 LBS



- NOTES:
1. ALL MEASUREMENTS IN INCHES (MM)
 2. TERMINAL SCREWS ARE COMBO #8-32 PHIL-SLOT-1/4" HEX WITH SEMS WASHER.
 3. IP-20 TERMINAL COVERS INSTALLED



PACKAGED ACCESSORIES			
1	PAIR OF J2 JUMPERS		
-	-		
MICRON INDUSTRIES CORPORATION CONTROL TRANSFORMER 1211 W. 22nd STREET, Suite 200, OAK BROOK, ILL. Tel: (630)664-4660, (630)516-1222 Fax: (630)516-1820 www.MicronPower.com			
DATE	6/9/11	DRAWN	J.G.V.
RELEASE DATE		CHECKED	
		CUSTOMER PART NO.	
MICRON PART NO.	B050-3656-5A3		
SIZE	C	SCALE	NONE
			B050-3656-5

A	I3 CONSTRUCTION	AN00XXXX	XX	XXXX
ECL	REVISIONS		BY	DATE