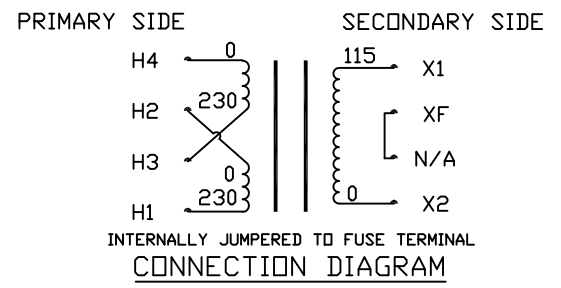
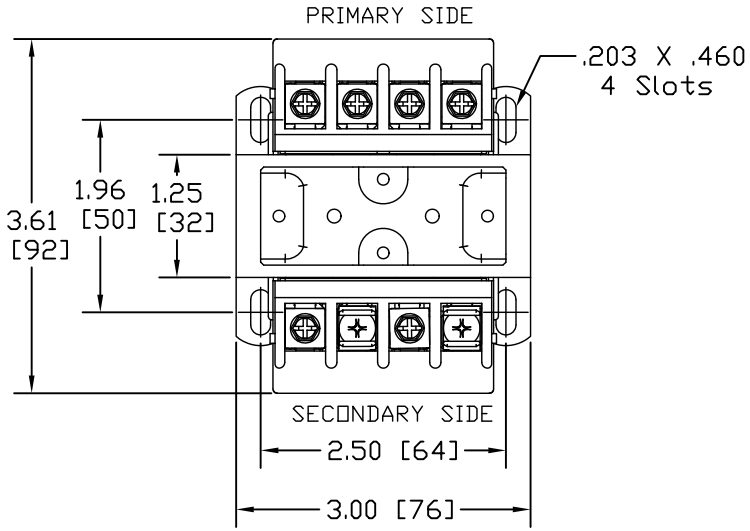
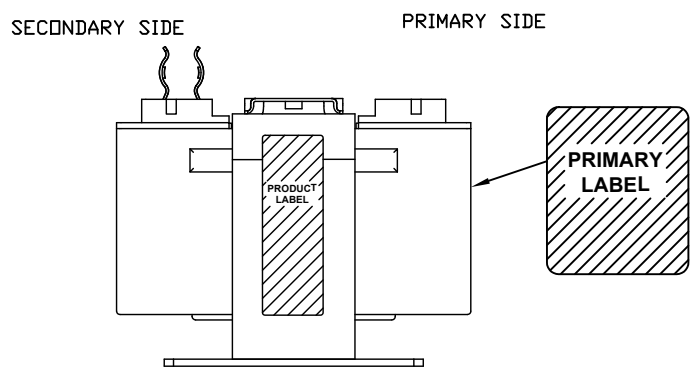
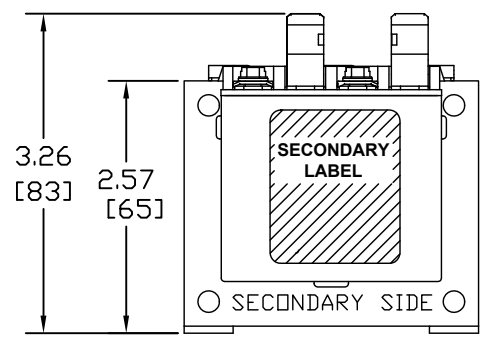


Transformer Specifications	
PRIMARY VOLTAGE(S)	230x460 (TRIPLE RATED)
SECONDARY VOLTAGE(S)	115
RATED V.A.	50
RATED FREQUENCY	50/60
INSULATION CLASS	105
AGENCY APPROVALS	UL, CUL
ESTIMATED WEIGHT	2.7 LBS



- NOTES:
1. ALL MEASUREMENTS IN INCHES (MM)
  2. TERMINAL SCREWS ARE COMBO #8-32 PHIL-SLOT-1/4" HEX WITH SEMS WASHER.
  3. SECONDARY FUSE CLIP ACCOMMODATES ONE 13/32" X 1-1/2" MIDGET FUSE.



PACKAGED ACCESSORIES	
1	1 PAIR JUMPERS
-	-

**MICRON INDUSTRIES CORPORATION**  
 777 CHURCH ROAD - ELMHURST, IL 60126  
 Tel: (630)664-4650, (630)516-1222 Fax: (630)516-1820  
 www.MicronTransformers.com

DATE	11/25/07	DRAWN	J.G.V	CHECKED		APPROVED	
RELEASE DATE		CUSTOMER PART NO.					
MICRON PART NO.	B050BTZ13JKA3 B050BTZ13JKB3						
SIZE	C	SCALE	NONE	B050BTZ13JK			

A	I3 CONSTRUCTION	AN00XXX	XX	XXXX	
ECL	REVISIONS		BY	DATE	