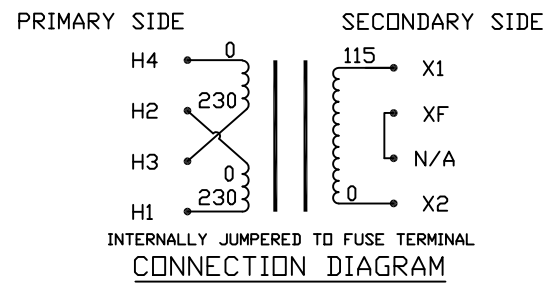
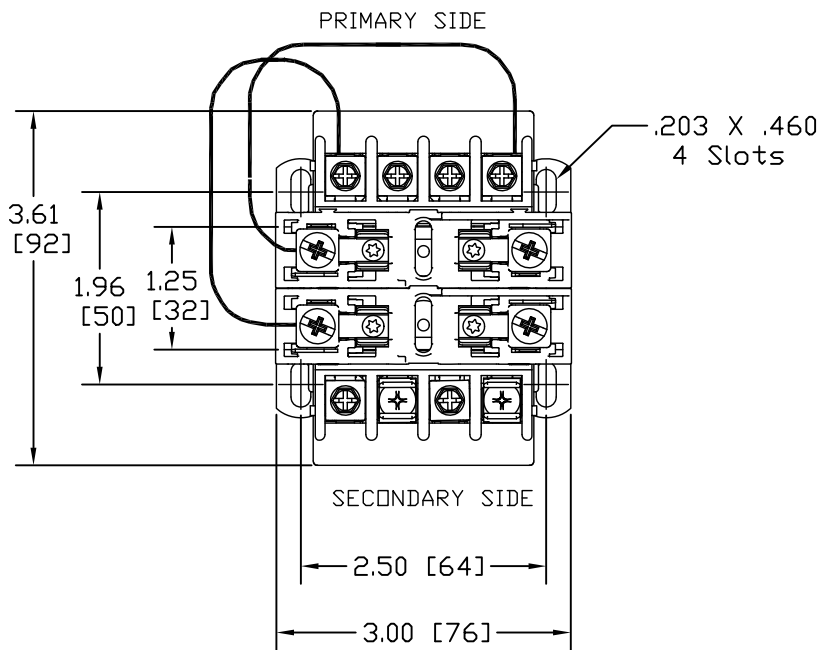
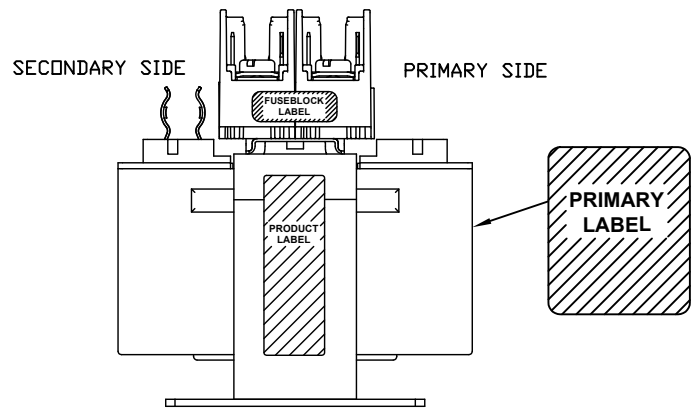
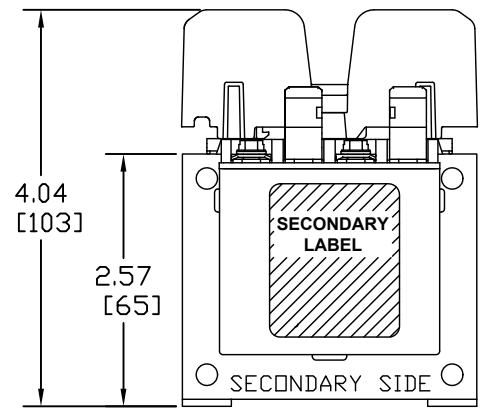


Transformer Specifications	
PRIMARY VOLTAGE(S)	230x460 (TRIPLE RATED)
SECONDARY VOLTAGE(S)	115
RATED V.A.	50
RATED FREQUENCY	50/60
INSULATION CLASS	105
AGENCY APPROVALS	UL, CUL
ESTIMATED WEIGHT	2.7 LBS



- NOTES:
1. ALL MEASUREMENTS IN INCHES (MM)
 2. TERMINAL SCREWS ARE COMBO #8-32 PHIL-SLOT-1/4" HEX WITH SEMS WASHER.
 3. 2 POLE, CLASS "CC" PRIMARY FUSE BLOCK, ACCOMMODATES TWO 13/32" X 1-1/2" CLASS "CC" FUSES.
 4. SECONDARY FUSE CLIP ACCOMMODATES ONE 13/32" X 1-1/2" MIDGET FUSE.



PACKAGED ACCESSORIES			
1	1 PAIR JUMPERS		
-	-		
MICRON INDUSTRIES CORPORATION 777 CHURCH ROAD - ELMHURST, IL 60126 Tel: (630)664-4650, (630)516-1222 Fax: (630)516-1820 www.MicronTransformers.com			
DATE	11/25/07	DRAWN	J.G.V.
RELEASE DATE		CHECKED	
		APPROVED	
MICRON PART NO.	B050BTZ13RBA3		
	B050BTZ13RBB3		
SIZE	SCALE	C NONE	
		B050BTZ13RB	

A	I3 CONSTRUCTION	AN00XXXX	XX	XXXX
ECL	REVISIONS		BY	DATE