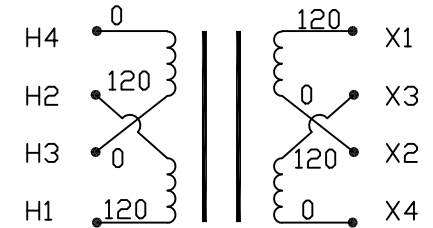
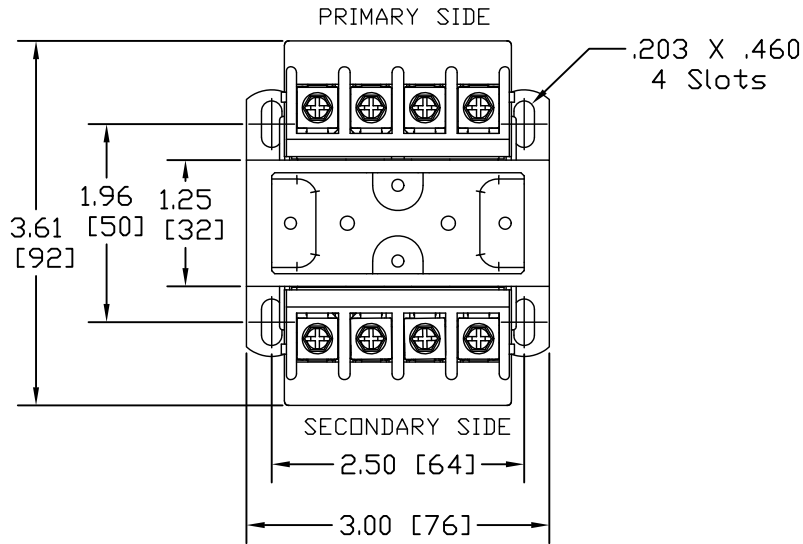


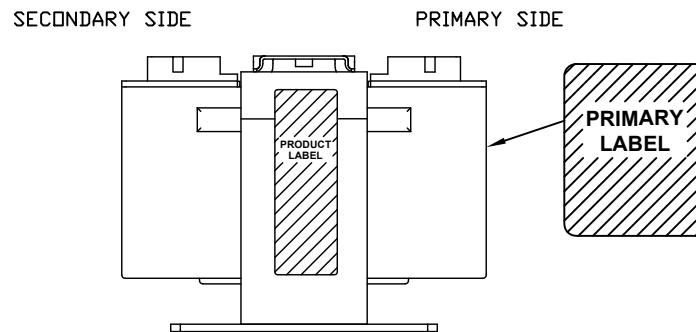
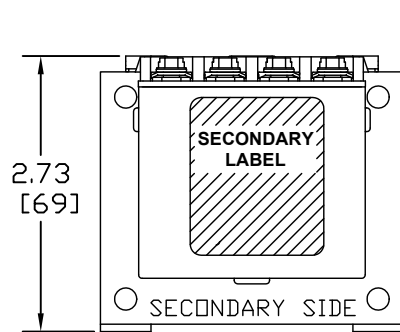
Transformer Specifications	
PRIMARY VOLTAGE(S)	120x240
SECONDARY VOLTAGE(S)	120x240
RATED V.A.	50
RATED FREQUENCY	50/60
INSULATION CLASS	105
AGENCY APPROVALS	UL, CUL
ESTIMATED WEIGHT	2.8 LBS



CONNECTION DIAGRAM

NOTES:

1. ALL MEASUREMENTS IN INCHES (MM)
2. TERMINAL SCREWS ARE COMBO #8-32 PHIL-SLOT-1/4" HEX WITH SEMS WASHER.



PACKAGED ACCESSORIES	
1	2 PAIRS OF JUMPERS
-	-

MICRON INDUSTRIES CORPORATION
 777 CHURCH ROAD - ELMHURST, IL 60126
 Tel. (800)664-4660, (630)516-1222 Fax (630)516-1820
 www.MicronTransformers.com

DATE	3/11/09	DRAWN	J.G.V	CHECKED	
RELEASE DATE		CUSTOMER PART NO.			
MICRON PART NO.	B050LP1519JJA3				
	B050LP1519JJB3				
SIZE	A	SCALE	NONE	B050LP1519JJ	

A	I3 CONSTRUCTION	AN00XXXX	XX	XXXX	
ECL	REVISIONS		BY	DATE	