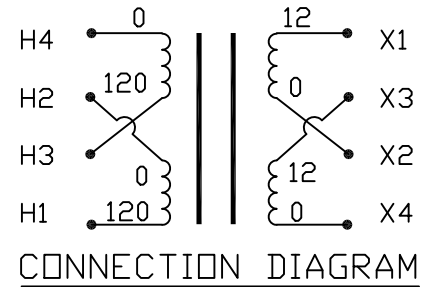
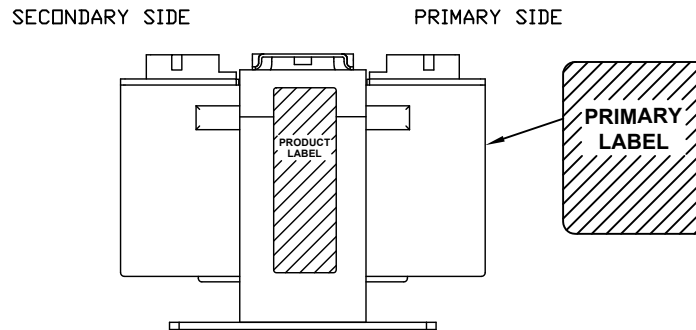
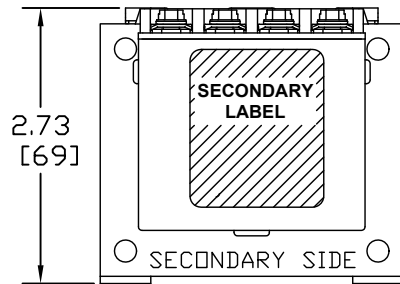


Transformer Specifications	
PRIMARY VOLTAGE(S)	120x240
SECONDARY VOLTAGE(S)	12x24
RATED V.A.	50
RATED FREQUENCY	50/60
INSULATION CLASS	105
AGENCY APPROVALS	UL, CUL
ESTIMATED WEIGHT	2.8 LBS



NOTES:

1. ALL MEASUREMENTS IN INCHES (MM)
2. TERMINAL SCREWS ARE COMBO #8-32 PHIL-SLOT-1/4" HEX WITH SEMS WASHER.



PACKAGED ACCESSORIES	
1	2 PAIRS OF JUMPERS
-	-

MICRON INDUSTRIES CORPORATION
 CONTROL TRANSFORMER
 1211 W 22nd STREET, Suite 200, DAK BROOK, ILL.
 Tel: (630)664-4660, (630)516-1222 Fax: (630)516-1820
 www.MicronPower.com

DATE	12/11/17	DRAWN	J.A.W	CHECKED
RELEASE DATE		CUSTOMER	PART NO.	

MICRON PART NO. B050LP57JJA3

A	I3 CONSTRUCTION	AN00XXXX	XX	XXXX
ECL	REVISIONS		BY	DATE
SIZE	A	SCALE	NONE	B050LP57JJ