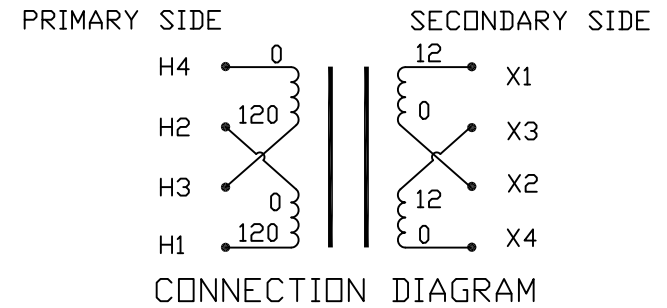
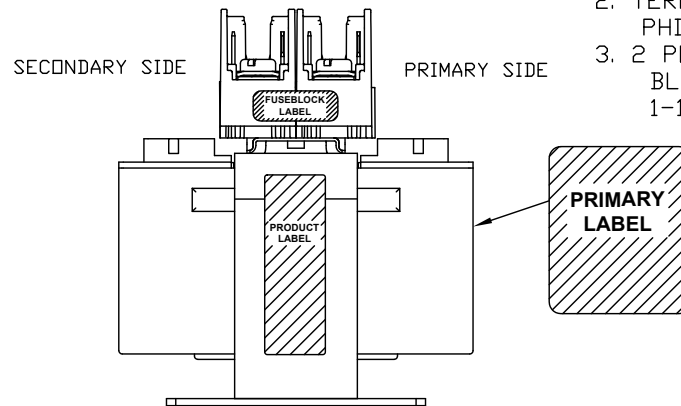
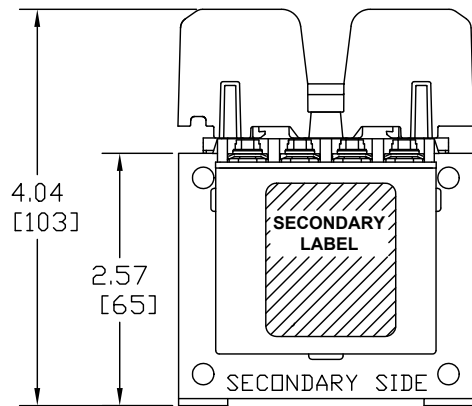


Transformer Specifications	
PRIMARY VOLTAGE(S)	120x240
SECONDARY VOLTAGE(S)	12x24
RATED V.A.	50
RATED FREQUENCY	50/60
INSULATION CLASS	105
AGENCY APPROVALS	UL, CUL
ESTIMATED WEIGHT	2.7 LBS



**THIS UNIT IS TO BE BUILT USING
M50 24GA LAMINATIONS
& WITH REV. 412-0301FB COILS**



NOTES:

1. ALL MEASUREMENTS IN INCHES (MM)
2. TERMINAL SCREWS ARE COMBO #8-32 PHIL-SLOT-1/4" HEX WITH SEMS WASHER.
3. 2 POLE, CLASS "CC" PRIMARY FUSE BLOCK, ACCOMMODATES TWO 13/32" X 1-1/2" CLASS "CC" FUSES.

PACKAGED ACCESSORIES			
1	2	PAIR JUMPERS	
-	-		
MICRON INDUSTRIES CORPORATION 1211 W. 22nd STREET, Suite 200, DAK BROOK, ILL. Tel. (800)664-4660, (630)516-1222 Fax (630)516-1820 www.MicronPower.com			
DATE	10/4/12	DRAWN	J.G.V
CHECKED		APPROVED	
RELEASE DATE		CUSTOMER PART NO.	
MICRON PART NO.	B050LP57RRA3 B050LP57RRB3		
SIZE	C	SCALE	NONE
	B050LP57RR		

A	DESCRIPTION	BY	DATE
I3	CONSTRUCTION REVISIONS	AN00XXXX	XX XXXX