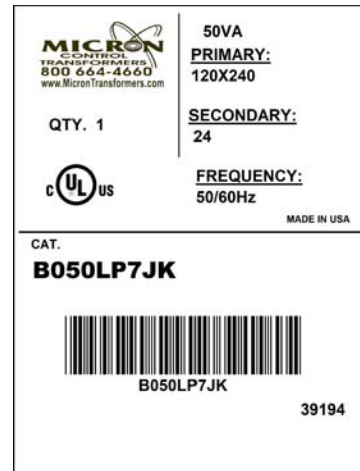
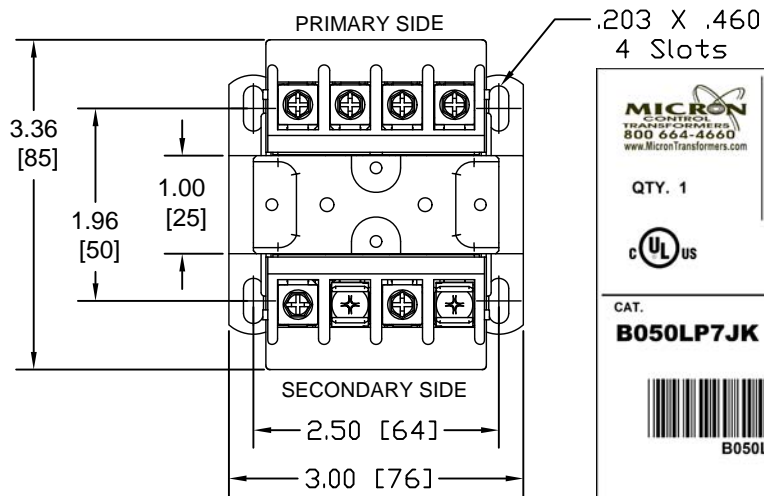
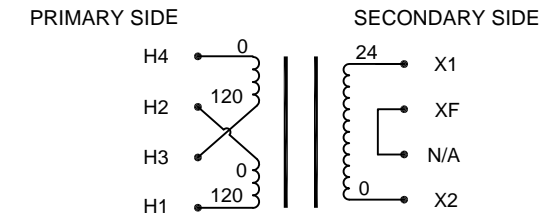


Transformer Specifications

PRIMARY VOLTAGE(S)	120x240
SECONDARY VOLTAGE(S)	24
RATED V.A.	50
RATED FREQUENCY	50/60
INSULATION CLASS	105
AGENCY APPROVALS	UL, CUL
ESTIMATED WEIGHT	2.7 LBS



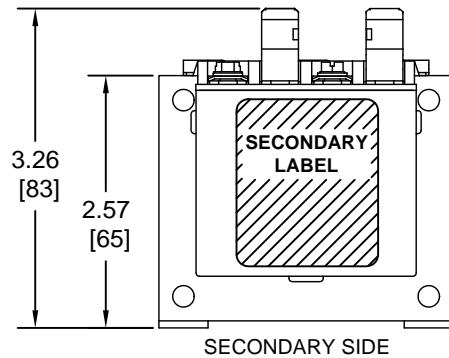
SECONDARY SIDE PRIMARY SIDE



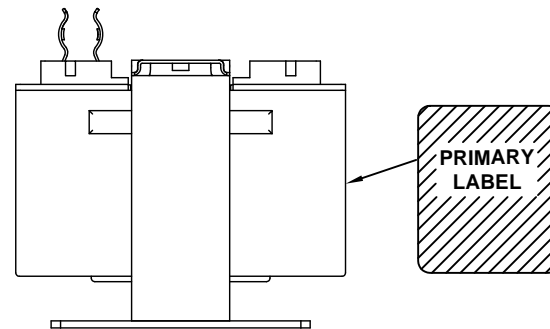
INTERNALLY JUMPERED TO FUSE TERMINAL
CONNECTION DIAGRAM

NOTES:

1. ALL MEASUREMENTS IN INCHES (MM)
2. TERMINAL SCREWS ARE COMBO #8-32 PHIL-SLOT-1/4" HEX WITH SEMS WASHER.
3. SECONDARY FUSE CLIP ACCOMMODATES ONE 13/32" X 1-1/2" MIDGET FUSE.



SECONDARY SIDE



PRIMARY LABEL

H4	H2	H3	H1	X2	-	XF	X1
ImperviTRAN U.S. PAT. NO. 3516040 MICRON CONTROL TRANSFORMERS 800 664-4660 www.MicronTransformers.com 50 VA 50/60 HZ TEMP CL 105 °C LISTED 702X 39194 CAT. NO. B050LP7JK				CAT. NO. B050LP7JK			

A	13 CONSTRUCTION	AN006420	JW	9/23/19
ECL	REVISIONS		BY	DATE

1	1 PAIR JUMPERS						
PACKAGED ACCESSORIES							
MICRON INDUSTRIES CORPORATION 1211 W. 22ND. Street, Suite 200, Oak Brook IL 60523 Tel. (800)664-4660, (630)516-1222 Fax (630)516-1820 www.MicronPower.com							
DATE	9/23/19	DRAWN	JAW	CHECKED		APPROVED	
RELEASE DATE		CUSTOMER PART NO.					
MICRON PART NO.	B050LP7JKA3			B050LP7JKB3			
SIZE	C	SCALE	NONE	B050LP7JK			