

**MICRON CONTROL TRANSFORMERS**  
800 664-4660  
www.MicronTransformers.com

50 VA  
**PRIMARY:**  
120X240

**SECONDARY:**  
24

**FREQUENCY:**  
50Hz / 60Hz

QTY. 1

UL US

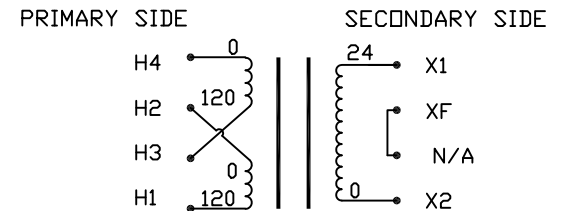
MADE IN USA

CAT.  
**B050LP7RB**

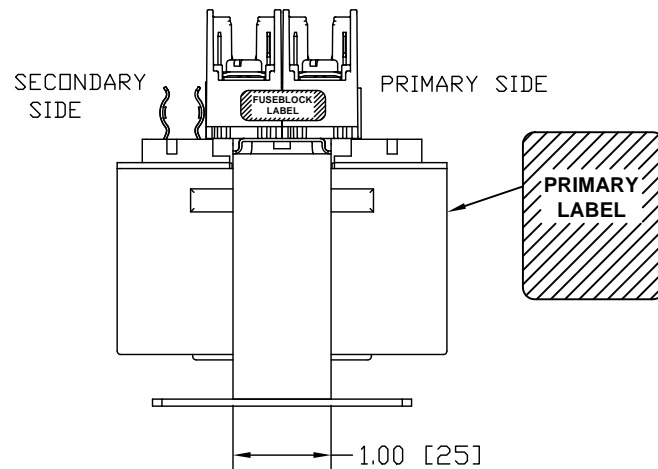
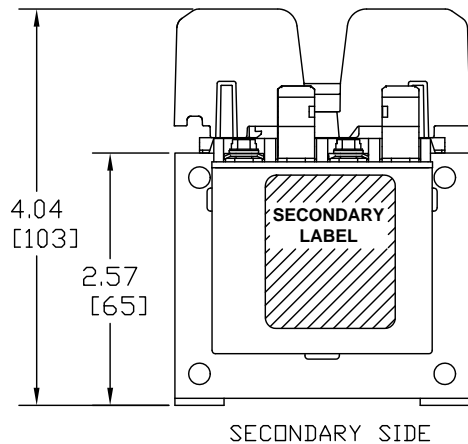
B050LP7RB

42194

Transformer Specifications	
PRIMARY VOLTAGE(S)	120x240
SECONDARY VOLTAGE(S)	24
RATED V.A.	50
RATED FREQUENCY	50/60
INSULATION CLASS	105
AGENCY APPROVALS	UL, CUL
ESTIMATED WEIGHT	2.7 LBS



INTERNALLY JUMPED TO FUSE TERMINAL  
CONNECTION DIAGRAM



**NOTES:**

1. ALL MEASUREMENTS IN INCHES (MM)
2. TERMINAL SCREWS ARE COMBO #8-32 PHIL-SLOT-1/4" HEX WITH SEMS WASHER.
3. 2 POLE, CLASS "CC" PRIMARY FUSE BLOCK, ACCOMMODATES TWO 13/32" X 1-1/2" CLASS "CC" FUSES.
4. SECONDARY FUSE CLIP ACCOMMODATES ONE 13/32" X 1-1/2" MIDGET FUSE.

H4 H2 H3 H1	X2 - XF X1	H4F
<b>ImperviTRAN</b> U.S. PAT. NO. 3518040		H1F
<b>MICRON CONTROL TRANSFORMERS</b> 800 664-4660 www.MicronTransformers.com		
50 VA 50/60HZ TEMP CL 105 °C		
UL US LISTED 702X		
PART NO. <b>B050LP7RB</b>		
42194		
	PART NO. <b>B050LP7RB</b>	

PACKAGED ACCESSORIES			
1	1 PAIR J2 JUMPERS		
-	-		
<b>MICRON CONTROL TRANSFORMER</b> <b>MICRON INDUSTRIES CORPORATION</b> 1211 W 22nd STREET, Suite 200, DAK BROOK, ILL. Tel. (800)664-4660, (630)516-1222, Fax (630)516-1820 www.MicronPower.com			
DATE	10/17/19	DRAWN	RF
RELEASE DATE		CHECKED	
		APPROVED	
MICRON PART NO.	B050LP7RBA3 B050LP7RBB3		
SIZE	SCALE	B050LP7RB	
C	NONE		

A	I3 CONSTRUCTION	AN006423	RF	10/17/19
ECL	REVISIONS		BY	DATE