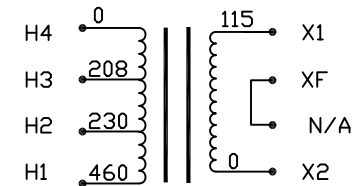


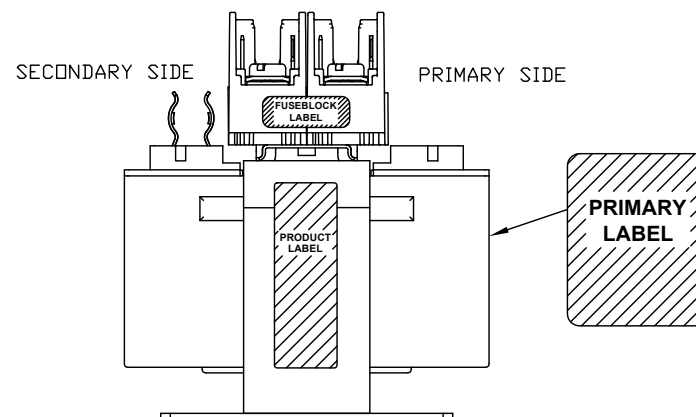
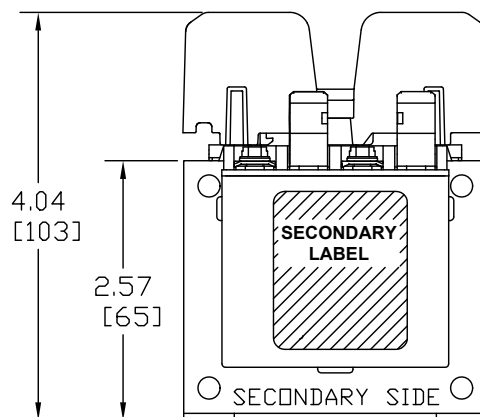
Transformer Specifications	
PRIMARY VOLTAGE(S)	208/230/460
SECONDARY VOLTAGE(S)	115
RATED V.A.	50
RATED FREQUENCY	50/60
INSULATION CLASS	105
AGENCY APPROVALS	UL,CUL
ESTIMATED WEIGHT	2.5 LBS



INTERNALLY JUMPED TO FUSE TERMINAL CONNECTION DIAGRAM

NOTES:

1. ALL MEASUREMENTS IN INCHES (MM)
2. TERMINAL SCREWS ARE COMBO #8-32 PHIL-SLOT-1/4" HEX WITH SEMS WASHER.
3. 2 POLE, CLASS "CC" PRIMARY FUSE BLOCK, ACCOMMODATES TWO 13/32" X 1-1/2" CLASS "CC" FUSES.
4. SECONDARY FUSE CLIP ACCOMMODATES ONE 13/32" X 1-1/2" MIDGET FUSE.



PACKAGED ACCESSORIES	
1	
-	-

**MICRON** MICRON INDUSTRIES CORPORATION  
 777 CHURCH ROAD ELMHURST, IL 60126  
 CONTROL TRANSFORMER Tel. (800)664-4660, (630)316-1222 Fax (630)316-1820  
 www.MicronTransformers.com

DATE	12/31/07	DRAWN	J.G.V.	CHECKED		APPROVED	
RELEASE DATE		CUSTOMER PART NO.					
MICRON PART NO.	B050MBT13RKA3		B050MBT13RKB3				
SIZE	C	SCALE	NONE		B050MBT13RK		

A	I3 CONSTRUCTION	AN00XXXX	XX	XXXX		
ECL	REVISIONS		BY	DATE		