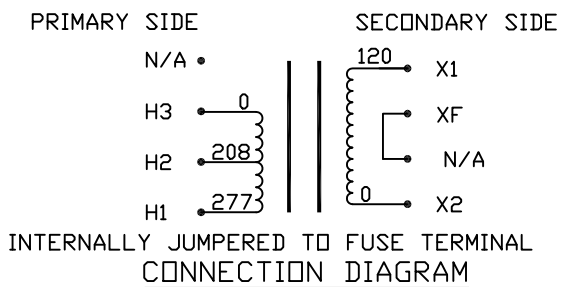
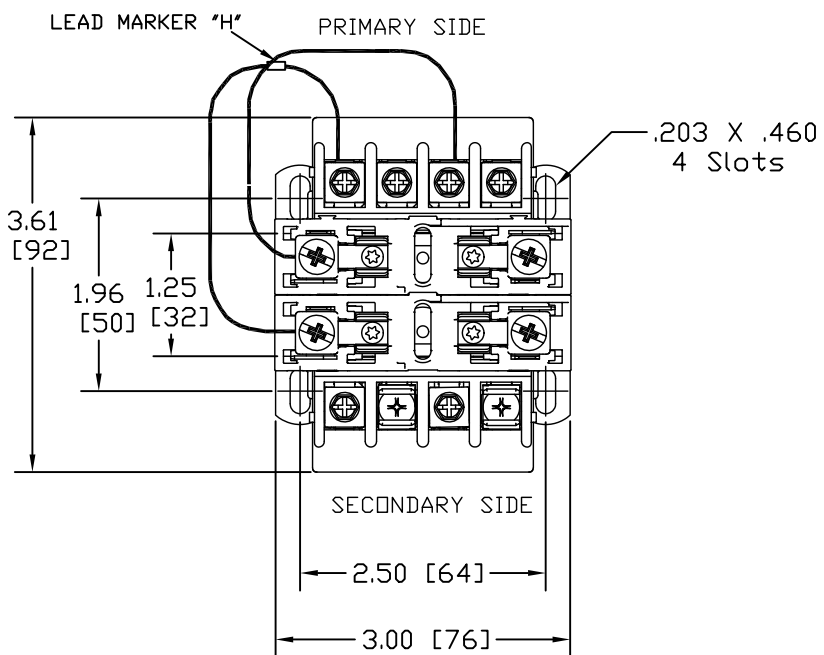
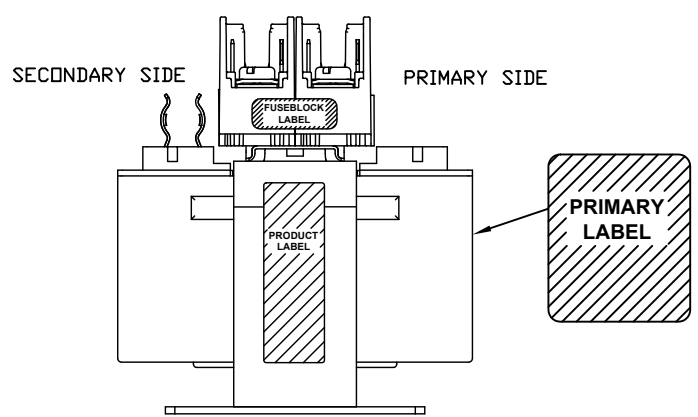
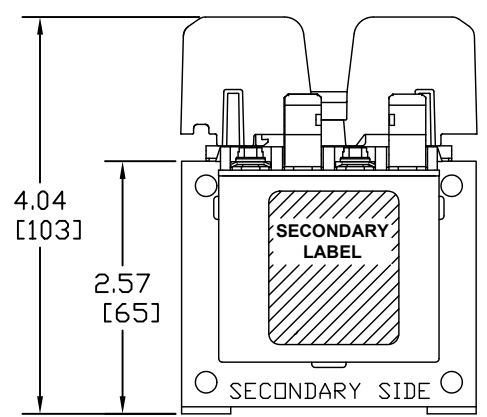


Transformer Specifications	
PRIMARY VOLTAGE(S)	208/277
SECONDARY VOLTAGE(S)	120
RATED V.A.	50
RATED FREQUENCY	50/60
INSULATION CLASS	105
AGENCY APPROVALS	UL, CUL
ESTIMATED WEIGHT	2.8 LBS



- NOTES:
1. ALL MEASUREMENTS IN INCHES (MM)
  2. TERMINAL SCREWS ARE COMBO #8-32 PHIL-SLOT-1/4" HEX WITH SEMS WASHER.
  3. 2 POLE, CLASS "CC" PRIMARY FUSE BLOCK, ACCOMMODATES TWO 13/32" X 1-1/2" CLASS "CC" FUSES.
  4. SECONDARY FUSE CLIP ACCOMMODATES ONE 13/32" X 1-1/2" MIDGET FUSE.



PACKAGED ACCESSORIES			
1			
-	-		
<b>MICRON INDUSTRIES CORPORATION</b> 777 CHURCH ROAD ELMHURST, IL 60126 Tel: (630)664-4650, (630)516-1822 Fax: (630)516-1820 www.MicronTransformers.com			
DATE	11/25/07	DRAWN	J.G.V.
RELEASE DATE		CHECKED	
		APPROVED	
MICRON PART NO.	B050MQ15RKA3 B050MQ15RKB3		
SIZE	C	SCALE	NONE
			B050MQ15RK

A	I3 CONSTRUCTION	AN00XXXX	XX	XXXX
ECL	REVISIONS		BY	DATE