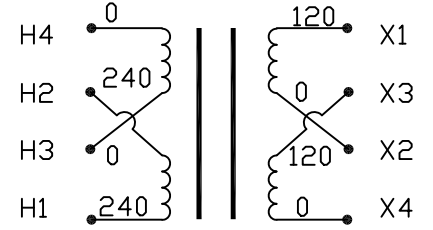
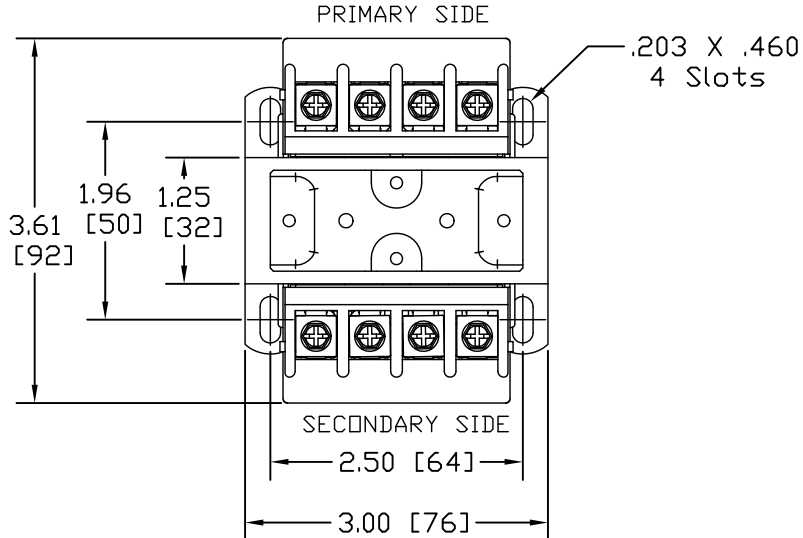
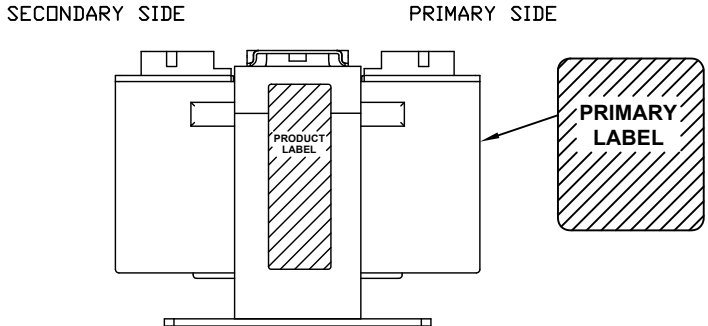
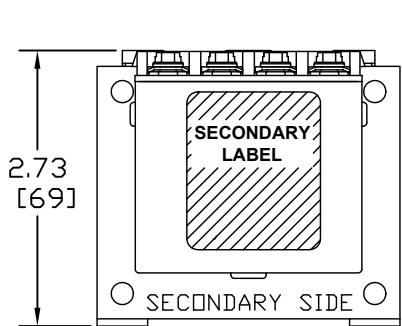


Transformer Specifications	
PRIMARY VOLTAGE(S)	240x480
SECONDARY VOLTAGE(S)	120x240
RATED V.A.	50
RATED FREQUENCY	50/60
INSULATION CLASS	105
AGENCY APPROVALS	UL, CUL
ESTIMATED WEIGHT	2.8 LBS



CONNECTION DIAGRAM

- NOTES:
1. ALL MEASUREMENTS IN INCHES (MM)
 2. TERMINAL SCREWS ARE COMBO #8-32 PHIL-SLOT-1/4" HEX WITH SEMS WASHER.



PACKAGED ACCESSORIES	
1	2 PAIRS OF JUMPERS
-	-

MICRON INDUSTRIES CORPORATION
 777 CHURCH ROAD - ELMHURST, IL 60126
 Tel. (800)664-4660, (630)516-1222 Fax (630)516-1820
 www.MicronTransformers.com

DATE 10/31/07 DRAWN J.G.V. CHECKED

RELEASE DATE CUSTOMER PART NO.

MICRON PART NO. B050PU1519JJA3
B050PU1519JJB3

SIZE SCALE NONE

B050PU1519JJ

A	I3 CONSTRUCTION	AN00XXXX	XX	XXXX
ECL	REVISIONS		BY	DATE