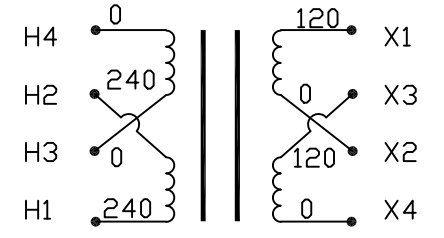
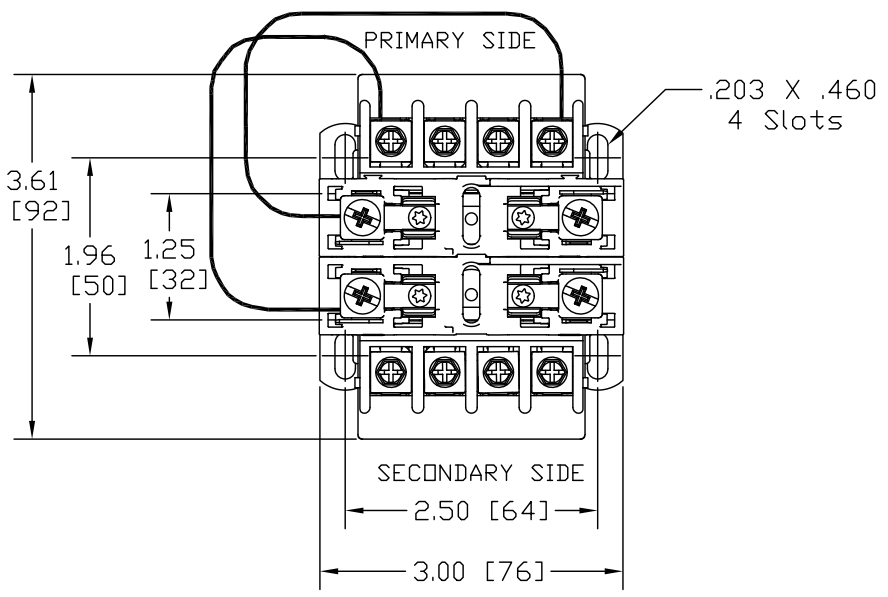


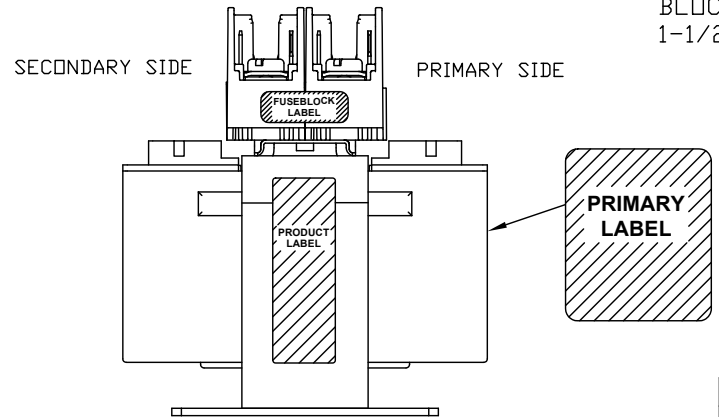
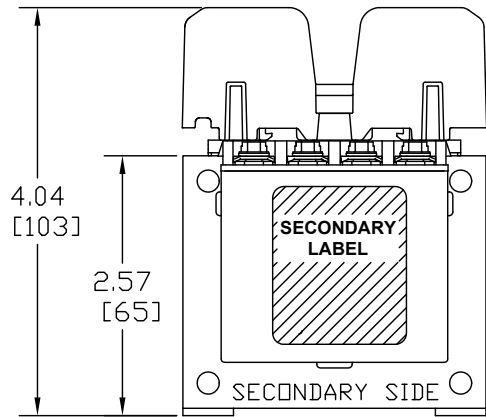
Transformer Specifications	
PRIMARY VOLTAGE(S)	240x480
SECONDARY VOLTAGE(S)	120x240
RATED V.A.	50
RATED FREQUENCY	50/60
INSULATION CLASS	105
AGENCY APPROVALS	UL, CUL
ESTIMATED WEIGHT	2.8 LBS



CONNECTION DIAGRAM

NOTES:

1. ALL MEASUREMENTS IN INCHES (MM)
2. TERMINAL SCREWS ARE COMBO #8-32 PHIL-SLOT-1/4" HEX WITH SEMS WASHER.
3. 2 POLE, CLASS "CC" PRIMARY FUSE BLOCK, ACCOMMODATES TWO 13/32" X 1-1/2" CLASS "CC" FUSES.



PACKAGED ACCESSORIES				
1	2 PAIRS OF JUMPERS			
-	-			
MICRON INDUSTRIES CORPORATION 777 CHURCH ROAD - ELMHURST, IL 60126 Tel. (800)664-4660, (630)516-1222 Fax (630)516-1820 www.MicronTransformers.com				
DATE	10/31/07	DRAWN	J.G.V	CHECKED
RELEASE DATE		CUSTOMER PART NO.		
MICRON PART NO.	B050PU1519RRA3		B050PU1519RRB3	
SIZE	A	SCALE	NONE	
B050PU1519RR				

REV	DESCRIPTION	DATE	BY	CHKD
A	I3 CONSTRUCTION REVISIONS		AN00XXXX	XXXX
ECL				