

MICRON CONTROL TRANSFORMERS
 800 664-4660
 www.MicronTransformers.com

50 VA
PRIMARY:
 240X480

QTY. 1

SECONDARY:
 24

FREQUENCY:
 50Hz / 60Hz

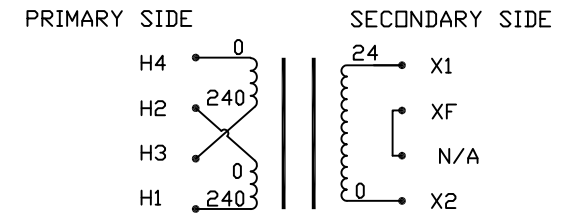
UL US
 MADE IN USA

CAT.
B050PU7JK

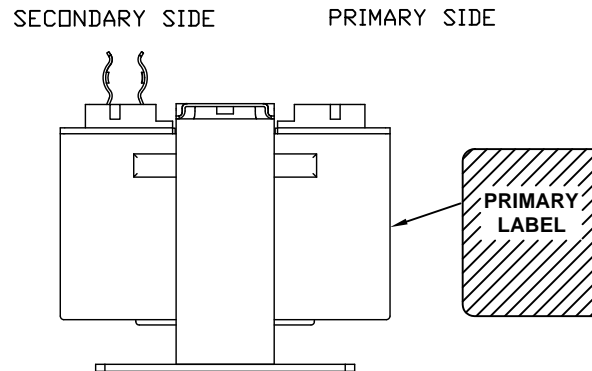
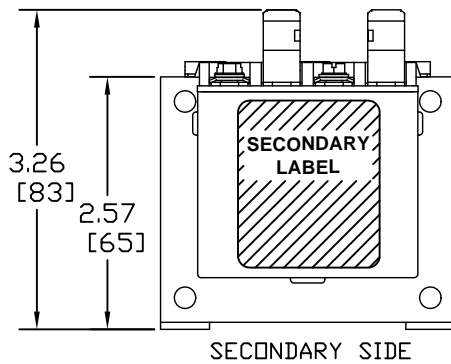
B050PU7JK

38193

Transformer Specifications	
PRIMARY VOLTAGE(S)	240x480
SECONDARY VOLTAGE(S)	24
RATED V.A.	50
RATED FREQUENCY	50/60
INSULATION CLASS	105
AGENCY APPROVALS	UL, CUL
ESTIMATED WEIGHT	2.7 LBS



INTERNALLY JUMPERED TO FUSE TERMINAL
CONNECTION DIAGRAM



NOTES:

1. ALL MEASUREMENTS IN INCHES (MM)
2. TERMINAL SCREWS ARE COMBO #8-32 PHIL-SLOT-1/4" HEX WITH SEMS WASHER.
3. SECONDARY FUSE CLIP ACCOMMODATES ONE 13/32" X 1-1/2" MIDGET FUSE.

H4 H2 H3 H1	X2 - XF X1
ImperviTRAN U.S. PAT. NO. 3516040	
MICRON CONTROL TRANSFORMERS 800 664-4660 www.MicronTransformers.com	
50 VA 50/60HZ TEMP CL 105 °C	
UL US LISTED 702X	
PART NO. B050PU7JK	PART NO. B050PU7JK
38193	

PACKAGED ACCESSORIES			
1	1 PAIR JUMPERS		
-	-		

MICRON CONTROL TRANSFORMER
MICRON INDUSTRIES CORPORATION
 1211 V.22nd STREET, Suite 200, IAK BLDG, ILL
 Tel: (800)664-4660, (630)516-1222 Fax: (630)516-1820
 www.MicronPower.com

DATE	9/19/19	DRAWN	JAW	CHECKED		APPROVED	
RELEASE DATE		CUSTOMER PART NO.					
MICRON PART NO.	B050PU7JKA3			B050PU7JKB3			
SIZE	C	SCALE	NONE	B050PU7JK			

A	I3 CONST/BASE	AN006428	JW	9/19/19
ECL	REVISIONS		BY	DATE