

MICRON
CONTROL
TRANSFORMERS
800 664-4660
www.MicronPower.com

50VA
PRIMARY:
240X480

SECONDARY:
24

FREQUENCY:
50Hz/60Hz

QTY. 1

UL LISTED
702X

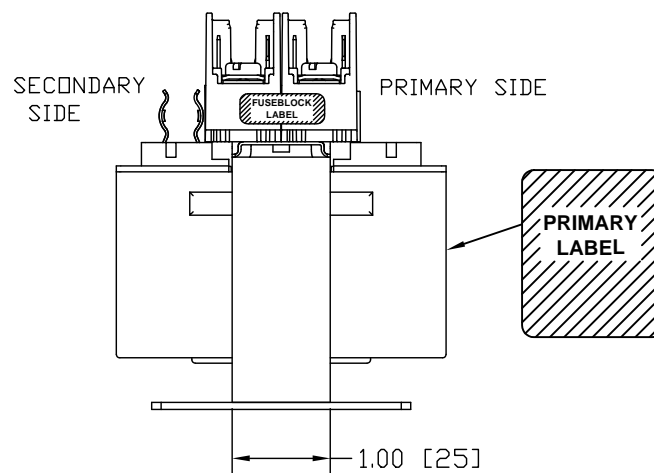
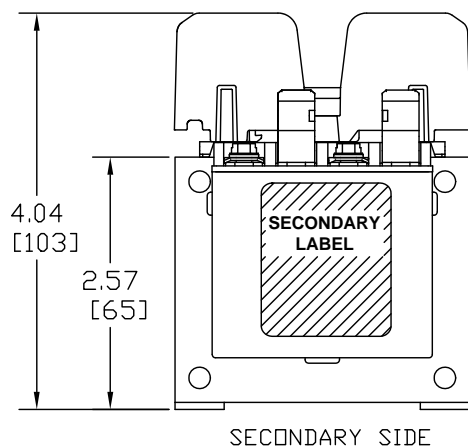
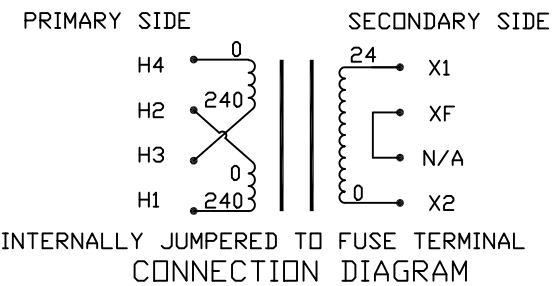
MADE IN USA

CAT.
B050PU7RB

B050PU7RB

38192

Transformer Specifications	
PRIMARY VOLTAGE(S)	240x480
SECONDARY VOLTAGE(S)	24
RATED V.A.	50
RATED FREQUENCY	50/60
INSULATION CLASS	105
AGENCY APPROVALS	UL, CUL
ESTIMATED WEIGHT	2.7 LBS



NOTES:

1. ALL MEASUREMENTS IN INCHES (MM)
2. TERMINAL SCREWS ARE COMBO #8-32 PHIL-SLOT-1/4" HEX WITH SEMS WASHER.
3. 2 POLE, CLASS "CC" PRIMARY FUSE BLOCK, ACCOMMODATES TWO 13/32" X 1-1/2" CLASS "CC" FUSES.
4. SECONDARY FUSE CLIP ACCOMMODATES ONE 13/32" X 1-1/2" MIDGET FUSE.

H4	H3	H2	H1	X2	-	XF	X1	H4F
								H1F
<p>50 VA 50/60 HZ TEMP CL 105 °C</p>								
<p>UL LISTED 702X</p>								
<p>CAT. NO. B050PU7RB</p>								
<p>38192</p>								
<p>CAT. NO. B050PU7RB</p>								

PACKAGED ACCESSORIES			
1	1 PAIR J2 JUMPERS		
-	-		
<p>MICRON CONTROL TRANSFORMER</p> <p>MICRON INDUSTRIES CORPORATION 1211 V.22nd STREET, Suite 200, IAK BLDG, ILL Tel: (800)664-4660, (630)516-1222 Fax: (630)516-1820 www.MicronPower.com</p>			
DATE	9/19/19	DRAWN	JAW
CHECKED		APPROVED	
RELEASE DATE		CUSTOMER PART NO.	
MICRON PART NO.	B050PU7RBA3 B050PU7RBB3		
SIZE	SCALE	B050PU7RB	
C	NONE		

A	I3 CONST/BASE	AN006428	JW	9/19/19
ECL	REVISIONS	BY	DATE	