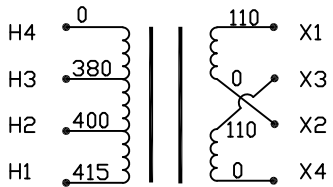
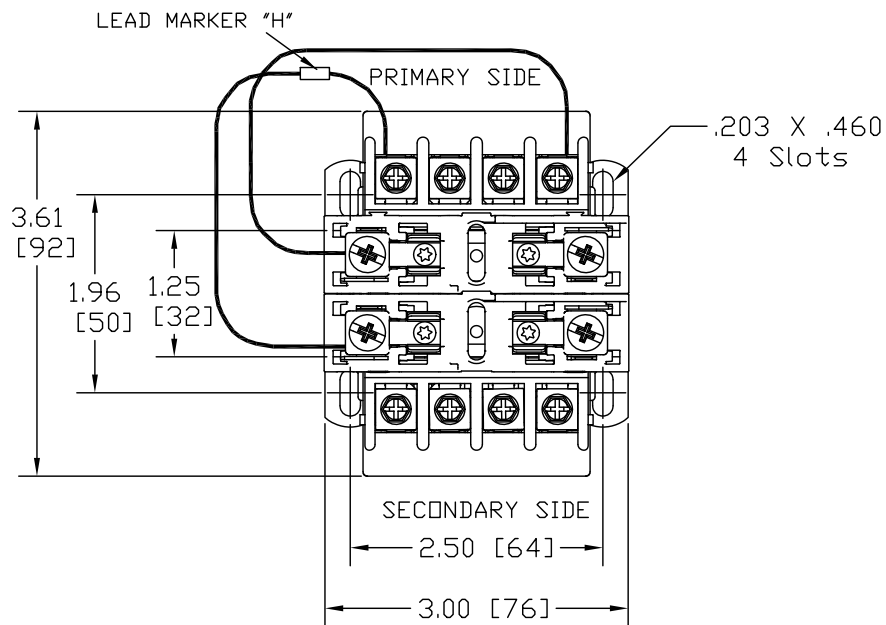


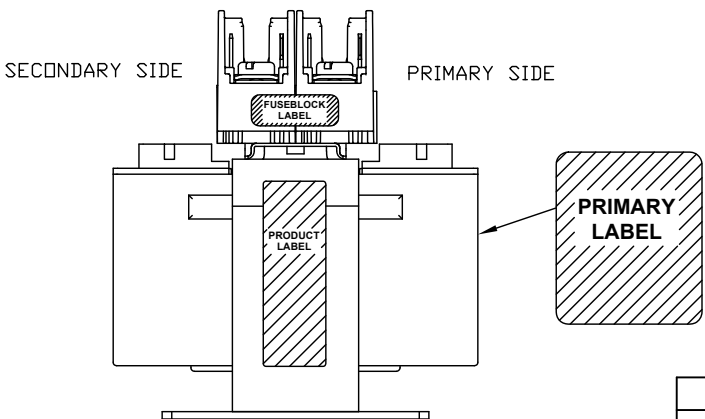
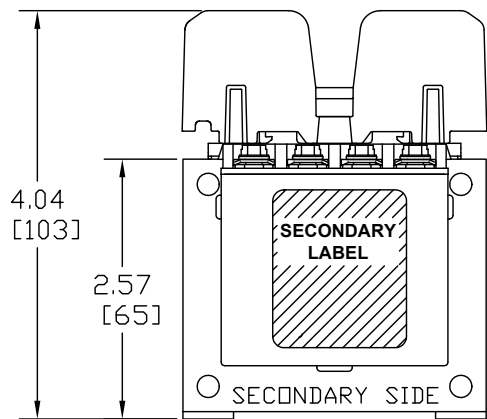
Transformer Specifications	
PRIMARY VOLTAGE(S)	380/400/415
SECONDARY VOLTAGE(S)	110x220
RATED V.A.	50
RATED FREQUENCY	50/60
INSULATION CLASS	105
AGENCY APPROVALS	UL, CUL
ESTIMATED WEIGHT	2.8 LBS



CONNECTION DIAGRAM

NOTES:

1. ALL MEASUREMENTS IN INCHES (MM)
2. TERMINAL SCREWS ARE COMBO #8-32 PHIL-SLOT-1/4" HEX WITH SEMS WASHER.
3. 2 POLE, CLASS "CC" PRIMARY FUSE BLOCK, ACCOMMODATES TWO 13/32" X 1-1/2" CLASS "CC" FUSES.



PACKAGED ACCESSORIES	
1	ONE PAIR JUMPERS
-	-

**MICRON** INDUSTRIES CORPORATION  
 777 CHURCH ROAD, ELMHURST, IL 60126  
 Tel: (800)664-4660, (630)516-1222 Fax: (630)516-1828  
 CONTROL TRANSFORMER www.MicronTransformers.com

DATE	12/26/07	DRAWN	J.G.V.	CHECKED		APPROVED	
RELEASE DATE		CUSTOMER		PART NO.			

MICRON PART NO.	B050RFD34RJA3 B050RFD34RJB3
SIZE	C
SCALE	NONE

A	I3 CONSTRUCTION	AN00XXXX	XX	XXXX
ECL	REVISIONS		BY	DATE

B050RFD34RJ