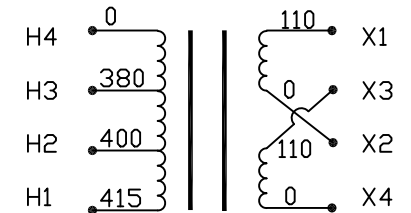


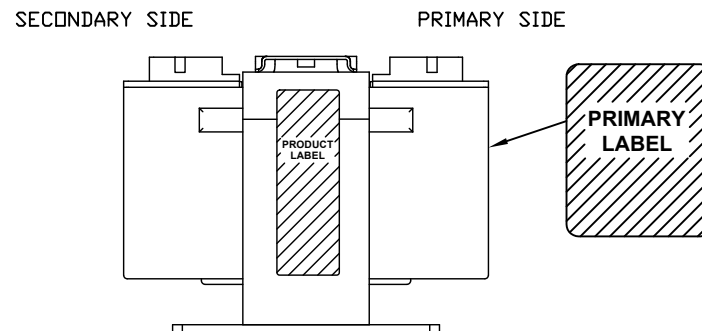
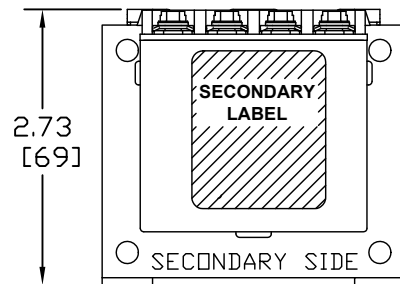
| Transformer Specifications | |
|----------------------------|-------------|
| PRIMARY VOLTAGE(S) | 380/400/415 |
| SECONDARY VOLTAGE(S) | 110x220 |
| RATED V.A. | 50 |
| RATED FREQUENCY | 50/60 |
| INSULATION CLASS | 105 |
| AGENCY APPROVALS | UL, CUL |
| ESTIMATED WEIGHT | 2.8 LBS |



CONNECTION DIAGRAM

NOTES:

1. ALL MEASUREMENTS IN INCHES (MM)
2. TERMINAL SCREWS ARE COMBO #8-32 PHIL-SLOT-1/4" HEX WITH SEMS WASHER.



| PACKAGED ACCESSORIES | |
|----------------------|---------------------|
| 1 | ONE PAIR J2 JUMPERS |
| - | - |

MICRON INDUSTRIES CORPORATION
 1211 W. 22nd STREET, Suite 200, OAK BROOK, ILL.
 Tel: (800)664-4660, (630)516-1222 Fax: (630)516-1820
 www.MicronPower.com

| | | | | | | | |
|--------------|-----------------|----------|-------|-------------|------|----------|--|
| DATE | 12/26/07 | DRAWN | J.G.V | CHECKED | | APPROVED | |
| RELEASE DATE | | CUSTOMER | | PART NO. | | | |
| MICRON | B050RFD34XJA3 | | | | | | |
| PART NO. | B050RFD34XJB3 | | | | | | |
| SIZE | C | SCALE | NONE | B050RFD34XJ | | | |
| A | I3 CONSTRUCTION | AN00XXXX | XX | XXXX | | | |
| ECL | REVISIONS | | | BY | DATE | | |