

MICRON
CONTROL
TRANSFORMERS
800 664-4660
www.MicronTransformers.com

50VA
PRIMARY:
575

SECONDARY:
115

FREQUENCY:
50/60Hz

QTY. 1

UL US

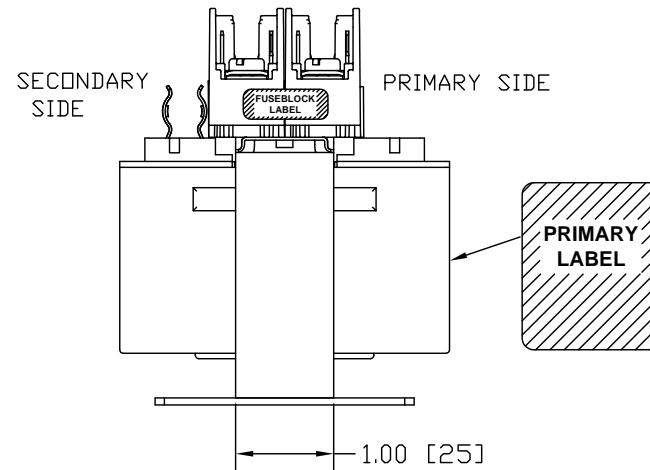
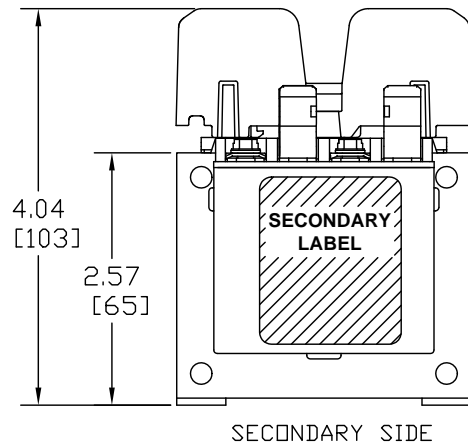
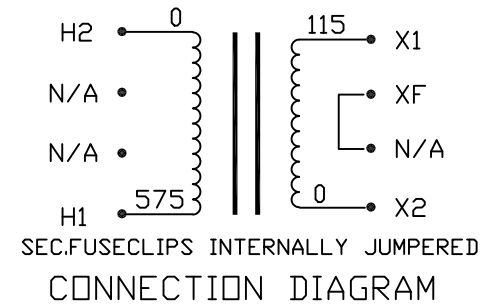
MADE IN USA

CAT.
B050WZ13RK

B050WZ13RK

39194

| Transformer Specifications | |
|----------------------------|--------------------|
| PRIMARY VOLTAGE(S) | 575 (TRIPLE RATED) |
| SECONDARY VOLTAGE(S) | 115 |
| RATED V.A. | 50 |
| RATED FREQUENCY | 50/60 |
| INSULATION CLASS | 105 |
| AGENCY APPROVALS | UL, CUL |
| ESTIMATED WEIGHT | 2.7 LBS |



NOTES:

1. ALL MEASUREMENTS IN INCHES (MM)
2. TERMINAL SCREWS ARE COMBO #8-32 PHIL-SLOT-1/4" HEX WITH SEMS WASHER.
3. 2 POLE, CLASS "CC" PRIMARY FUSE BLOCK, ACCOMMODATES TWO 13/32" X 1-1/2" CLASS "CC" FUSES.
4. SECONDARY FUSE CLIP ACCOMMODATES ONE 13/32" X 1-1/2" MIDGET FUSE.

H2 - - H1

ImperviTRAN®
U.S. PAT. NO. 3516040

MICRON
CONTROL
TRANSFORMERS
800 664-4660
www.MicronTransformers.com

50 VA
50/60 HZ
TEMP CL 105 °C

UL US LISTED 702X 39194

CAT. NO. **B050WZ13RK**

X2 - - XF - - X1

H1 - - H2

550 575 600

110 115 120 OPT.

X2 - - XF - - X1

CAT. NO. **B050WZ13RK**

H2F

H1F

| PACKAGED ACCESSORIES | | | |
|--|---------|-------------------|-----|
| - | - | | |
| MICRON CONTROL TRANSFORMER | | | |
| MICRON INDUSTRIES CORPORATION 1211 V.22nd STREET, Suite 200, IAK Bldg, IL Tel: (800)664-4660, (630)516-1222 Fax: (630)516-1820 www.MicronPower.com | | | |
| DATE | 9/23/19 | DRAWN | JAW |
| RELEASE DATE | | CHECKED | |
| | | APPROVED | |
| MICRON PART NO. | | CUSTOMER PART NO. | |
| B050WZ13RKA3 | | B050WZ13RKB3 | |
| SIZE | SCALE | C NONE | |
| B050WZ13RK | | | |

| A | DESCRIPTION | AN | BY | DATE |
|-----|--------------|----------|----|---------|
| 13 | CONSTRUCTION | AN006420 | JW | 9/23/19 |
| ECL | REVISIONS | | BY | DATE |