

MICRON CONTROL TRANSFORMERS
800 664-4660
www.MicronTransformers.com

75 VA
PRIMARY:
208/230/460

SECONDARY:
24/115

FREQUENCY:
50Hz / 60Hz

QTY. 1

UL US

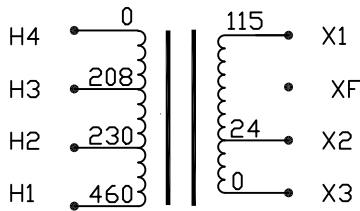
MADE IN USA

CAT.
B075-2001-1

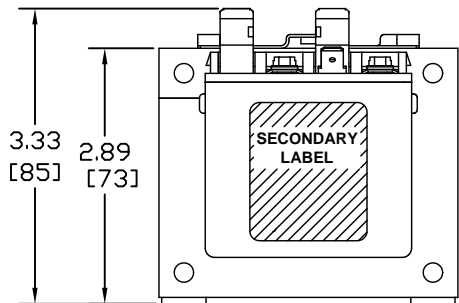
B075-2001-1

50195

Transformer Specifications	
PRIMARY VOLTAGE(S)	208/230/460 (TRIPLE)
SECONDARY VOLTAGE(S)	24/115
RATED V.A.	75
RATED FREQUENCY	50/60
INSULATION CLASS	105
AGENCY APPROVALS	UL,CUL
ESTIMATED WEIGHT	5.5 LBS



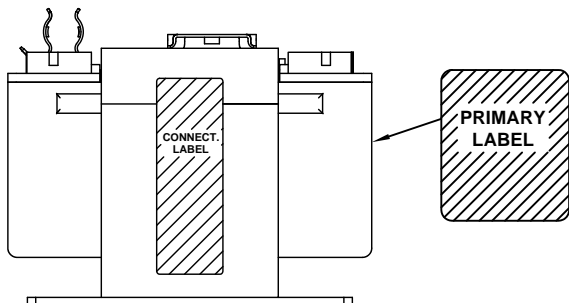
CONNECTION DIAGRAM



SECONDARY SIDE

SECONDARY SIDE

PRIMARY SIDE



NOTES:

1. ALL MEASUREMENTS IN INCHES (MM)
2. TERMINAL SCREWS ARE COMBO #8-32 PHIL-SLOT-1/4" HEX WITH SEMS WASHER.
3. SECONDARY FUSE CLIP ACCOMMODATES ONE 13/32" X 1-1/2" MIDGET FUSE.

H4 H3 H2 H1

ImperviTRAN
U.S. PAT. NO. 3518040

MICRON
www.MicronTransformers.com
800 664-4660
www.MicronTransformers.com

75 VA
50/60 HZ

TEMP CL 105 °C

LISTED 702X 50195

CAT. NO. **B075-2001-1**

X3 X2 XF X1

SEE TABLE FOR CONNECTION

CAT. NO. **B075-2001-1**

INPUT VOLTAGE			OUTPUT VOLTAGE	
H4-H3	H4-H2	H4-H1	XF-X2	XF-X1
--	240	480	25	120
208	230	460	24	115
200	220	440	23	110

NOTE: IF BOTH OUTPUTS ARE USED SIMULTANEOUSLY, REPLACE XF WITH X3 AND FUSE THROUGH X2 AND X1 IF REQUIRED

PACKAGED ACCESSORIES

1	
-	-

MICRON INDUSTRIES CORPORATION
CONTROL TRANSFORMER
1211 V.22nd STREET, SUITE 200, DAK BROOK, ILL
TEL. (800)664-4660, (630)316-1222 FAX (630)316-1820
www.MicronPower.com

DATE	12/4/19	DRAWN	JAW	CHECKED		APPROVED	
RELEASE DATE		CUSTOMER PART NO.					
MICRON PART NO.	B075-2001-1A3		B075-2001-1B3				
A	I3 CONSTRUCTION	AN006472	JW	12/4/19	SIZE	SCALE	
ECL	REVISIONS		BY	DATE	C	SCALE	
					NONE		

B075-2001-1