

**MICRON**  
CONTROL  
TRANSFORMERS  
800 664-4668  
www.MicronTransformers.com

75 VA  
**PRIMARY:**  
208/230/460

**SECONDARY:**  
24/115

**FREQUENCY:**  
50Hz / 60Hz

MADE IN USA

QTY. 1

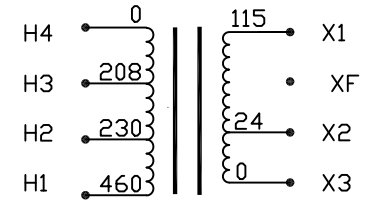
UL US

CAT.  
**B075-2001-8**

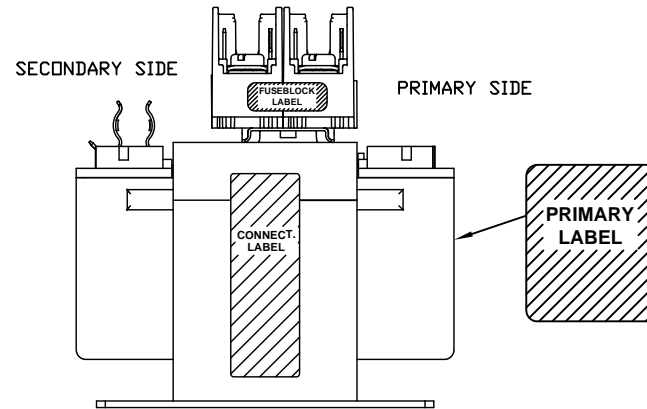
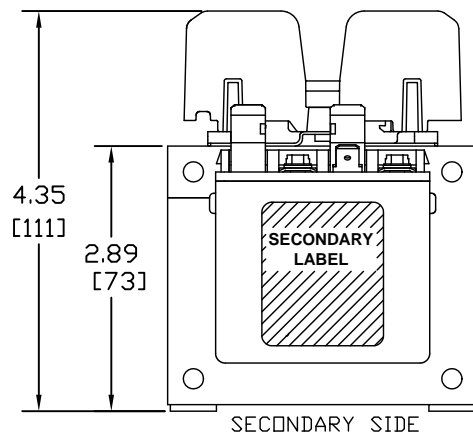
B075-2001-8

50195

Transformer Specifications	
PRIMARY VOLTAGE(S)	208/230/460 (TRIPLE)
SECONDARY VOLTAGE(S)	24/115
RATED V.A.	75
RATED FREQUENCY	50/60
INSULATION CLASS	105
AGENCY APPROVALS	UL,CUL
ESTIMATED WEIGHT	5.5 LBS



CONNECTION DIAGRAM



NOTES:

1. ALL MEASUREMENTS IN INCHES (MM)
2. TERMINAL SCREWS ARE COMBO #8-32 PHIL-SLOT-1/4" HEX WITH SEMS WASHER.
3. 2 POLE, CLASS "CC" PRIMARY FUSE BLOCK, ACCOMMODATES TWO 13/32" X 1-1/2" CLASS "CC" FUSES.
4. SECONDARY FUSE CLIP ACCOMMODATES ONE 13/32" X 1-1/2" MIDGET FUSE.

	INPUT VOLTAGE			OUTPUT VOLTAGE	
	H4-H3	H4-H2	H4-H1	XF-X2	XF-X1
	--	240	480	25	120
	208	230	460	24	115
	200	220	440	23	110

NOTE: IF BOTH OUTPUTS ARE USED SIMULTANEOUSLY, REPLACE XF WITH X3 AND FUSE THROUGH X2 AND X1 IF REQUIRED

H4 H3 H2 H1

**ImperviTRAN**  
U.S. PAT. NO. 3516040

MICRON 75 VA  
50/60 HZ  
TEMP CL 105 °C  
LISTED TO UL 51191

CAT. NO. **B075-2001-8**

X3 X2 XF X1

SEE TABLE FOR CONNECTION

H1F, H2F H4F or H3F

CAT. NO. **B075-2001-8**

PACKAGED ACCESSORIES			
1			
-	-		

**MICRON INDUSTRIES CORPORATION**  
1211 VANDERBILT STREET, SUITE 200, DAK BROOK, ILL.  
Tel: (800)664-4668, (630)516-1222 Fax: (630)516-1828  
www.MicronPower.com

DATE	12/4/19	DRAWN	JAW	CHECKED	APPROVED
RELEASE DATE		CUSTOMER PART NO.			
MICRON PART NO.	B075-2001-8A3 B075-2001-8B3				
SIZE	C	SCALE	NONE	B075-2001-8	

A	I3 CONSTRUCTION	AN006472	JW	12/4/19
ECL	REVISIONS		BY	DATE