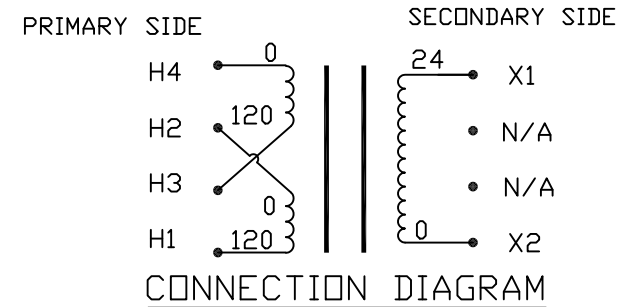
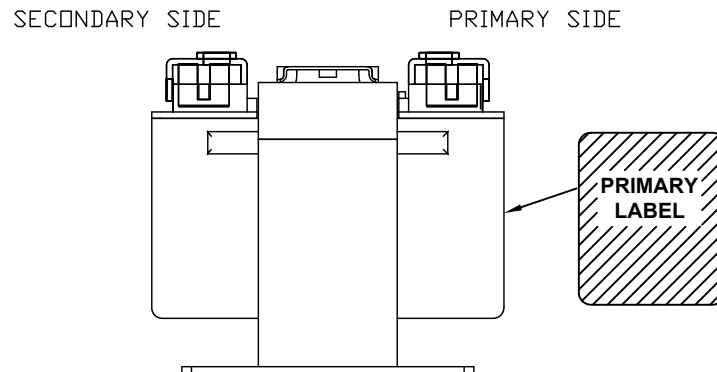
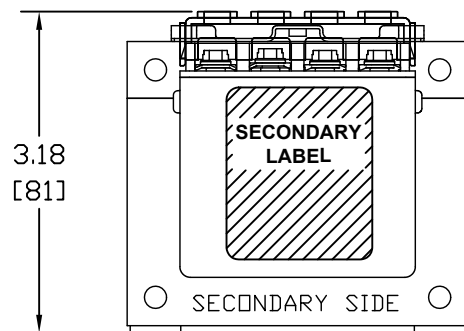


Transformer Specifications	
PRIMARY VOLTAGE(S)	120x240
SECONDARY VOLTAGE(S)	24
RATED V.A.	75
RATED FREQUENCY	50/60
INSULATION CLASS	105
AGENCY APPROVALS	UL, CUL, IEC558-2-2
ESTIMATED WEIGHT	4.0 LBS



NOTES:

1. ALL MEASUREMENTS IN INCHES (MM)
2. TERMINAL SCREWS ARE COMBO #8-32 PHIL-SLOT-1/4" HEX WITH SEMS WASHER.
3. IP-20 TERMINAL COVERS INSTALLED



PACKAGED ACCESSORIES			
1	PAIR OF TERMINAL JUMPERS		
-	-		
<b>MICRON INDUSTRIES CORPORATION</b> 1211 W. 22nd STREET, Suite 200, OAK BROOK, ILL. Tel. (800)664-4660, (630)516-1222 Fax (630)516-1820 www.MicronPower.com			
DATE	10/6/09	DRAWN	J.G.V
RELEASE DATE		CHECKED	
		CUSTOMER PART NO.	
MICRON PART NO.	B075-2022-GAA3		
	B075-2022-GAB3		
SIZE	C	SCALE	NONE
	B075-2022-GA		

A	I3 CONSTRUCTION	AN00XXXX	XX	XXXX
ECL	REVISIONS		BY	DATE