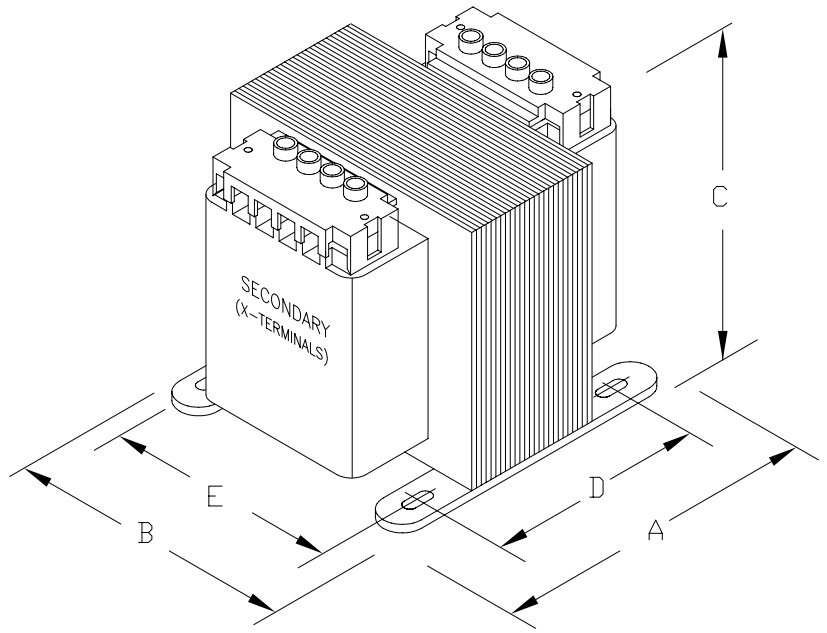


CONNECTION DIAGRAM

CONNECTION TABLE

PRIMARY		SECONDARY			
VOLT	TERM.	VOLT	TERM.	VOLT	TERM.
200	H4-H3	23	X3-X2	110	X3-X1
208	H4-H3	24	X3-X2	115	X3-X1
220	H4-H2	23	X3-X2	110	X3-X1
230	H4-H2	24	X3-X2	115	X3-X1
240	H4-H2	25	X3-X2	120	X3-X1
440	H4-H1	23	X3-X2	110	X3-X1
460	H4-H1	24	X3-X2	115	X3-X1
480	H4-H1	25	X3-X2	120	X3-X1



PROVIDED WITH SAFE TOUCH TERMINAL COVERS.
NO INTEGRAL FUSING CAPABILITY.

DIMENSIONS							APPROX. WT. LBS (KG)
	A	B	C	D	E	MTG. SLOTS	
INCHES (MM)	3.38 (86)	3.75 (95)	3.50 (89)	2.44 (62)	3.13 (79)	0.203X0.460 (5.1X11.7)	



MICRON INDUSTRIES CORPORATION
777 CHURCH ROAD - ELMHURST, IL 60126
Tel. (800) 664-4660, (630) 516-1222 Fax (630) 516-1820
www.MicronTransformers.com

CAT.NO.	B075-2102-GA		CONST. ENCAPSULATED				UL LISTED
			MODEL GLOBALTRAN				
RATING							SP CERTIFIED
OUTPUT AMPS	3.13/0.65	PRIMARY V	220/220/440, 208/230/460, 240/480		TEMP. CLASS	HZ 50/60	
VA	75	SECONDARY V	23/110, 24/115, 25/120		105°C	REVISION G	
							CE IEC 61558