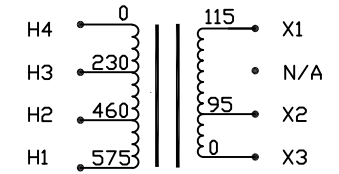
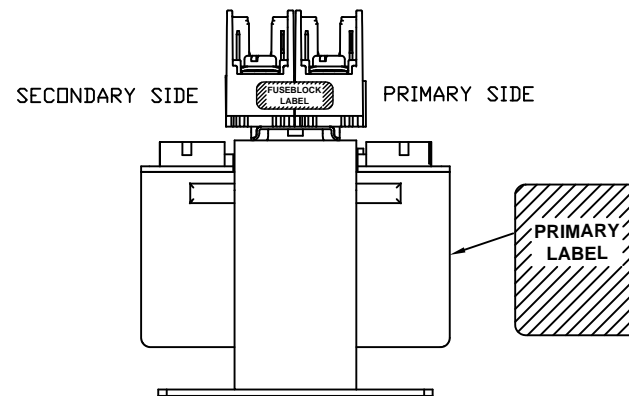
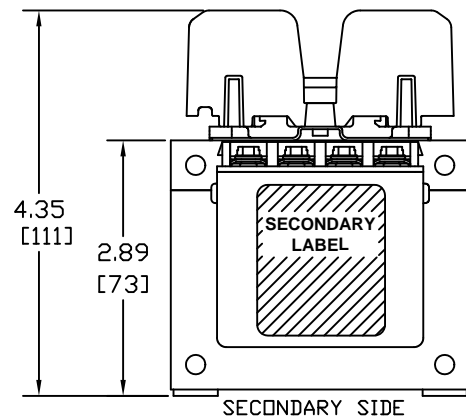


Transformer Specifications	
PRIMARY VOLTAGE(S)	230/460/575
SECONDARY VOLTAGE(S)	95/115
RATED V.A.	75
RATED FREQUENCY	50/60
INSULATION CLASS	105
AGENCY APPROVALS	UL, CUL
ESTIMATED WEIGHT	4.2 LBS

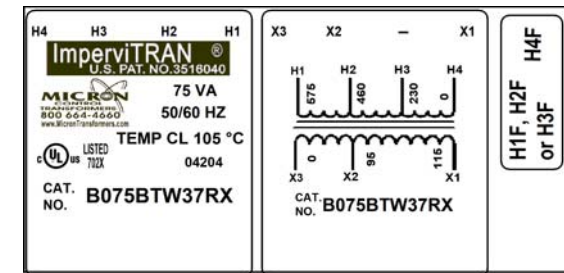


CONNECTION DIAGRAM



NOTES:

1. ALL MEASUREMENTS IN INCHES (MM)
2. TERMINAL SCREWS ARE COMBO #8-32 PHIL-SLOT-1/4" HEX WITH SEMS WASHER.
3. 2 POLE, CLASS "CC" PRIMARY FUSE BLOCK, ACCOMMODATES TWO 13/32" X 1-1/2" CLASS "CC" FUSES.



PACKAGED ACCESSORIES

1	
-	-

				MICRON INDUSTRIES CORPORATION 1211 W. 22nd STREET, SUITE 200, DAK BLDG, ILL Tel. (800)664-4660, (630)516-1822 Fax (630)516-1820 www.MIC-INT-Power.com			
DATE	1/22/20	DRAWN	JAW	CHECKED		APPROVED	
RELEASED		CUSTOMER PART NO.					
MICRON PART NO.	B075BTW37RXA3		B075BTW37RXB3				
A	I3 CONSTRUCTION	AN006509	JW	1/22/20	SIZE	SCALE	B SCALE
ECL	REVISIONS		BY	DATE	B075BTW37RX		