

MICRON CONTROL TRANSFORMERS
800 664-4660
www.MicronTransformers.com

75VA
PRIMARY:
230X460

QTY. 1

SECONDARY:
115

FREQUENCY:
50/60Hz

UL US

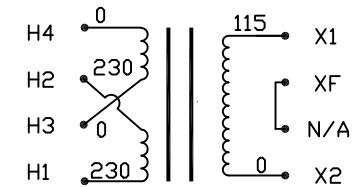
MADE IN USA

CAT.
B075BTZ13JK

B075BTZ13JK

17193

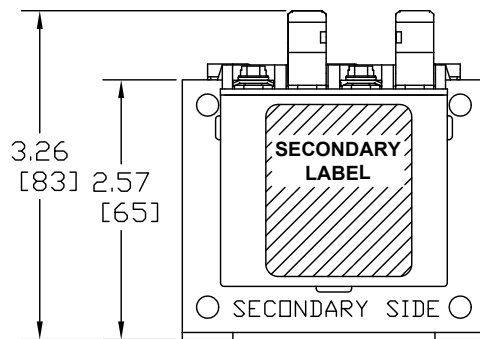
Transformer Specifications	
PRIMARY VOLTAGE(S)	230x460 (TRIPLE RATED)
SECONDARY VOLTAGE(S)	115
RATED V.A.	75
RATED FREQUENCY	50/60
INSULATION CLASS	105
AGENCY APPROVALS	UL, CUL
ESTIMATED WEIGHT	3.4 LBS



INTERNALLY JUMPERED TO FUSE TERMINAL
CONNECTION DIAGRAM

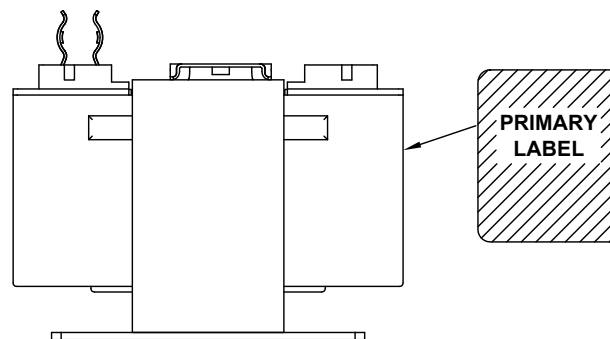
NOTES:

1. ALL MEASUREMENTS IN INCHES (MM)
2. TERMINAL SCREWS ARE COMBO #8-32 PHIL-SLOT-1/4" HEX WITH SEMS WASHER.
3. SECONDARY FUSE CLIP ACCOMMODATES ONE 13/32" X 1-1/2" MIDGET FUSE.



SECONDARY SIDE

PRIMARY SIDE



H4	H2	H3	H1	X2	-	XF	X1
ImperviTRAN U.S. PAT. NO. 3518040 MICRON CONTROL TRANSFORMERS 75 VA 50/60 HZ TEMP CL 105 °C UL US LISTED 70ZX 17193 CAT. NO. B075BTZ13JK							
CAT. NO. B075BTZ13JK							

PACKAGED ACCESSORIES	
1	ONE PAIR OF JUMPERS
-	-

MICRON INDUSTRIES CORPORATION
777 CHURCH ROAD, ELMHURST, IL 60126
Tel. (800)664-4660, (630)516-1222 Fax (630)516-1820
www.MicronTransformers.com

DATE	10/29/07	DRAWN	J.G.V	CHECKED		APPROVED	
RELEASE DATE		CUSTOMER PART NO.					

MICRON PART NO.	B075BTZ13JKA3 B075BTZ13JKB3
-----------------	--------------------------------

A	I3 CONSTRUCTION	AN00XXXX	XX	XXXX
ECL	REVISIONS		BY	DATE

SIZE	SCALE	C	NONE
		B075BTZ13JK	