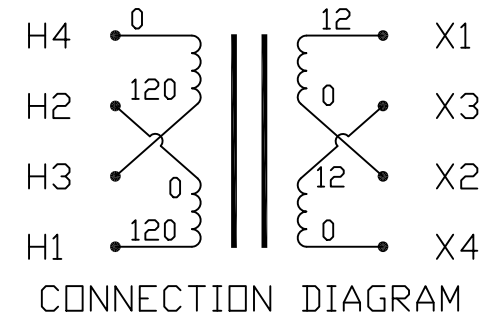
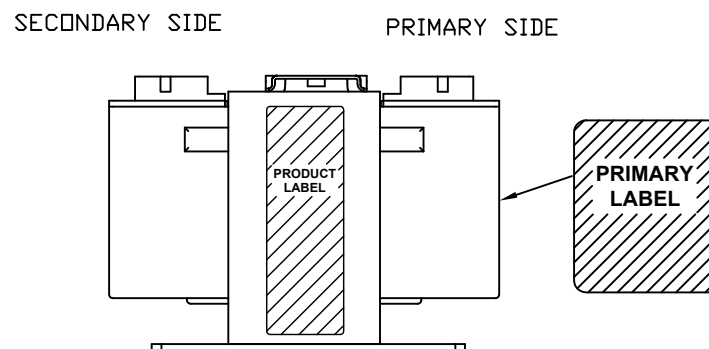
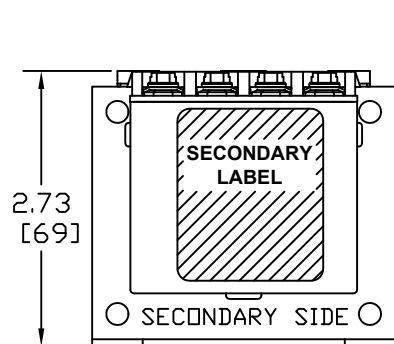


Transformer Specifications	
PRIMARY VOLTAGE(S)	120x240
SECONDARY VOLTAGE(S)	12x24
RATED V.A.	75
RATED FREQUENCY	50/60
INSULATION CLASS	105
AGENCY APPROVALS	UL, CUL
ESTIMATED WEIGHT	3.3 LBS



NOTES:

1. ALL MEASUREMENTS IN INCHES (MM)
2. TERMINAL SCREWS ARE COMBO #8-32 PHIL-SLOT-1/4" HEX WITH SEMS WASHER.



PACKAGED ACCESSORIES	
1	TWO PAIR OF J2 JUMPERS
-	-

MICRON INDUSTRIES CORPORATION
 CONTROL TRANSFORMER
 1211 W. 22nd STREET, Suite 200, DAK BROOK, ILL.
 Tel: (800)664-4660, (630)516-1222 Fax: (630)516-1820
 www.MicronPower.com

DATE: 1/08/18 DRAWN: J.A.W. CHECKED: APPROVED:

RELEASE DATE: CUSTOMER PART NO.:

MICRON PART NO. B075LP57JJA3

REV	DESCRIPTION	DATE	BY	CHKD
A	I3 CONSTRUCTION		AN00XXXX	XX XXXX
ECL	REVISIONS		BY	DATE

SIZE: C SCALE: NONE B075LP57JJ