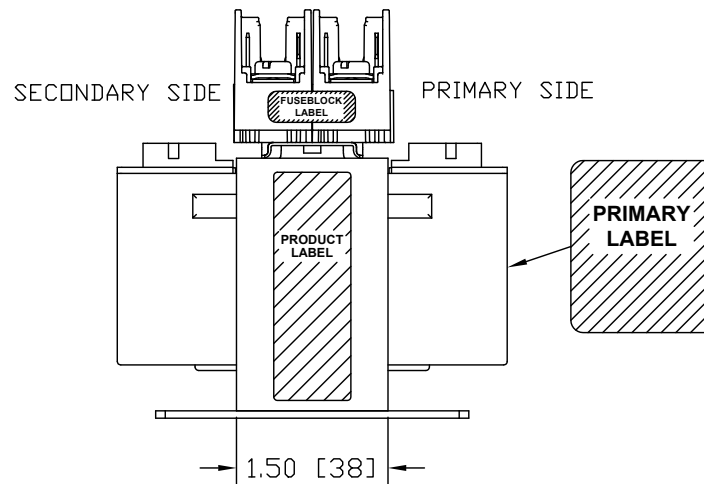
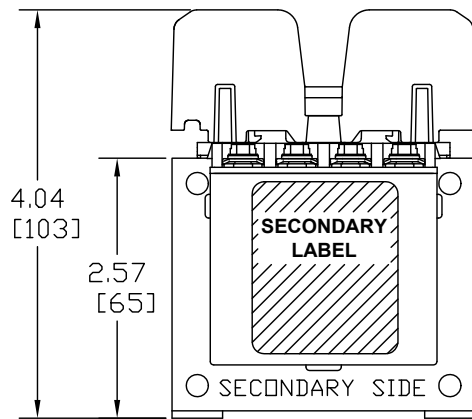
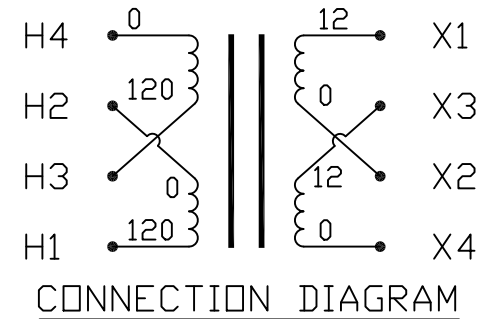


| Transformer Specifications | |
|----------------------------|---------|
| PRIMARY VOLTAGE(S) | 120x240 |
| SECONDARY VOLTAGE(S) | 12x24 |
| RATED V.A. | 75 |
| RATED FREQUENCY | 50/60 |
| INSULATION CLASS | 105 |
| AGENCY APPROVALS | UL, CUL |
| ESTIMATED WEIGHT | 3.3 LBS |



NOTES:

1. ALL MEASUREMENTS IN INCHES (MM)
2. TERMINAL SCREWS ARE COMBO #8-32 PHIL-SLOT-1/4" HEX WITH SEMS WASHER.
3. 2 POLE, CLASS "CC" PRIMARY FUSE BLOCK, ACCOMMODATES TWO 13/32" X 1-1/2" CLASS "CC" FUSES.

| PACKAGED ACCESSORIES | | | |
|---|------------------------|-------------------|------------|
| 1 | TWO PAIR OF J2 JUMPERS | | |
| - | - | | |
| MICRON INDUSTRIES CORPORATION <small>CONTROL TRANSFORMER</small> 1211 V.22nd STREET, Suite 200, DAK BROOK, ILL. Tel: (800)664-4660, (630)516-1222 Fax: (630)516-1820 www.MicronPower.com | | | |
| DATE | 1/08/18 | DRAWN | J.A.W. |
| RELEASE DATE | | CHECKED | |
| | | CUSTOMER PART NO. | |
| MICRON PART NO. | B075LP57RRA3 | | |
| A | I3 CONSTRUCTION | AN00XXXX | XX XXXX |
| ECL | REVISIONS | BY | DATE |
| SIZE | C | SCALE | NONE |
| | | | B075LP57RR |