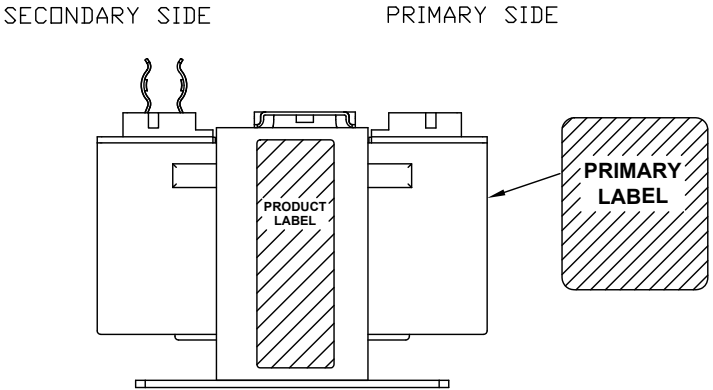
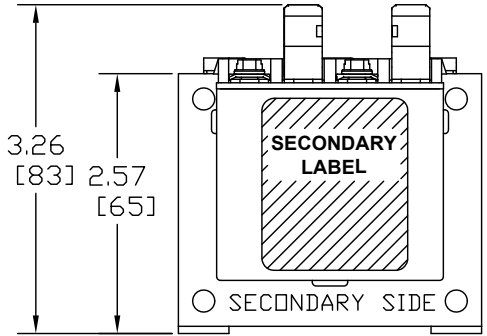
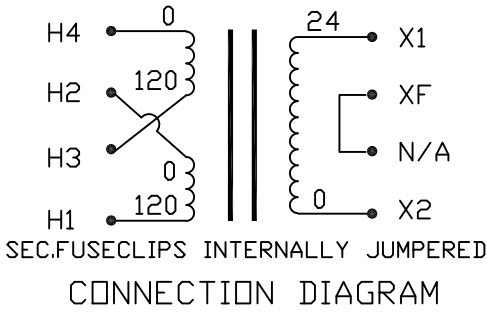
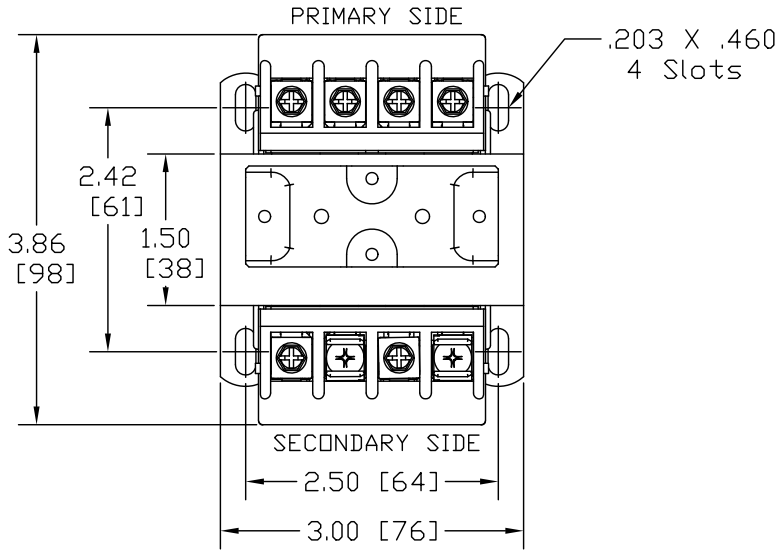


### Transformer Specifications

PRIMARY VOLTAGE(S)	120x240
SECONDARY VOLTAGE(S)	24
RATED V.A.	75
RATED FREQUENCY	50/60
INSULATION CLASS	105
AGENCY APPROVALS	UL,CUL
ESTIMATED WEIGHT	3.4 LBS



- NOTES:
1. ALL MEASUREMENTS IN INCHES (MM)
  2. TERMINAL SCREWS ARE COMBO #8-32 PHIL-SLOT-1/4" HEX WITH SEMS WASHER.
  3. SECONDARY FUSE CLIP ACCOMMODATES ONE 13/32" X 1-1/2" MIDGET FUSE.

PACKAGED ACCESSORIES			
1	ONE PAIR OF J2 JUMPERS		
-	-		
<b>MICRON INDUSTRIES CORPORATION</b> <small>1211 V.22nd STREET, Suite 200, JAK BROOK, ILL.          Tel: (800)664-4660, (630)516-1222 Fax: (630)516-1820          www.MicronPower.com</small>			
DATE	DRAWN	CHECKED	APPROVED
1/10/07	RN		
RELEASE DATE	CUSTOMER PART NO.		
MICRON PART NO.	B075LP7JKA3 B075LP7JKB3		
A	I3 CONSTRUCTION	AN00XXXX	XX XXXX
ECL	REVISIONS	BY	DATE
SIZE	SCALE		
C	NONE	B075LP7JK	
