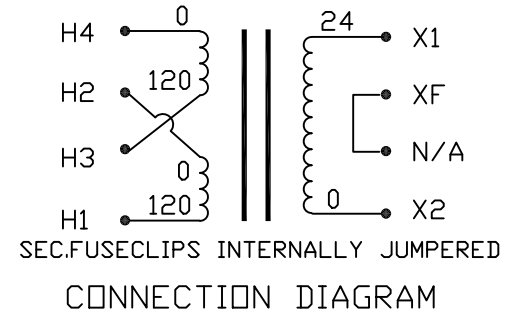


Transformer Specifications	
PRIMARY VOLTAGE(S)	120x240
SECONDARY VOLTAGE(S)	24
RATED V.A.	75
RATED FREQUENCY	50/60
INSULATION CLASS	105
AGENCY APPROVALS	UL,CUL
ESTIMATED WEIGHT	3.4 LBS



NOTES:

1. ALL MEASUREMENTS IN INCHES (MM)
2. TERMINAL SCREWS ARE COMBO #8-32 PHIL-SLOT-1/4" HEX WITH SEMS WASHER.
3. 2 POLE, CLASS "CC" PRIMARY FUSE BLOCK, ACCOMMODATES TWO 13/32" X 1-1/2" CLASS "CC" FUSES.
4. SECONDARY FUSE CLIP ACCOMMODATES ONE 13/32" X 1-1/2" MIDGET FUSE.

PACKAGED ACCESSORIES	
1	ONE PAIR OF J2 JUMPERS
-	-

**MICRON** INDUSTRIES CORPORATION  
 1211 W. 22nd STREET, Suite 200, DAK BROOK, ILL.  
 Tel: (800)664-4660, (630)516-1222 Fax (630)516-1820  
 www.MicronPower.com

DATE	1/10/07	DRAWN	RN	CHECKED	APPROVED
RELEASE DATE		CUSTOMER PART NO.			
MICRON PART NO.		B075LP7RBA3			
		B075LP7RBB3			
A	13 CONSTRUCTION	AN00XXXX	XX	XXXX	
ECL	REVISIONS		BY	DATE	
SIZE	C	SCALE	NONE	B075LP7RB	