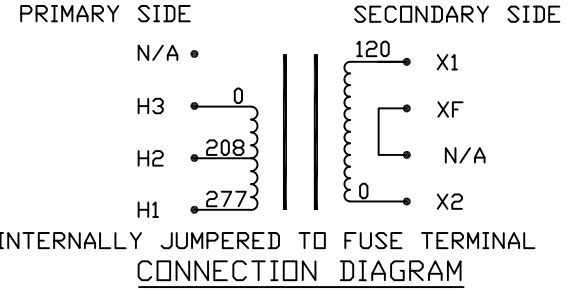
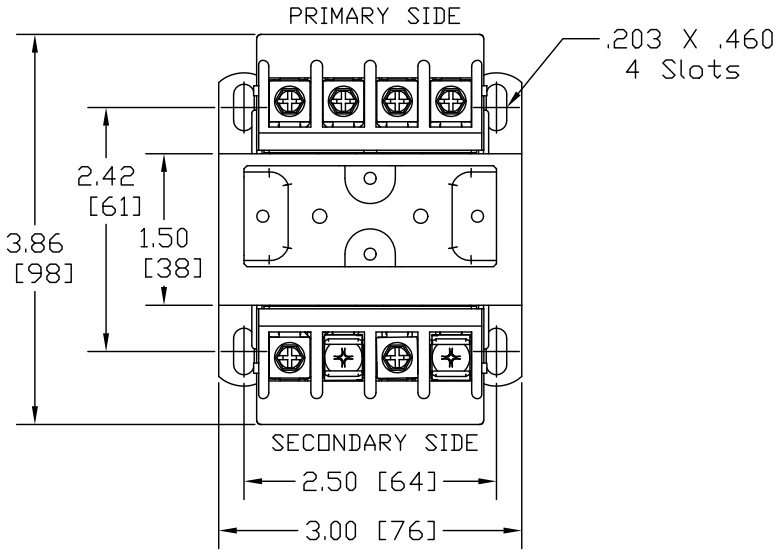
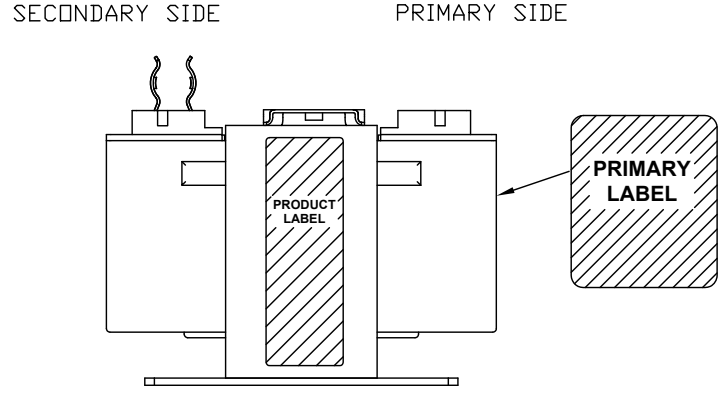
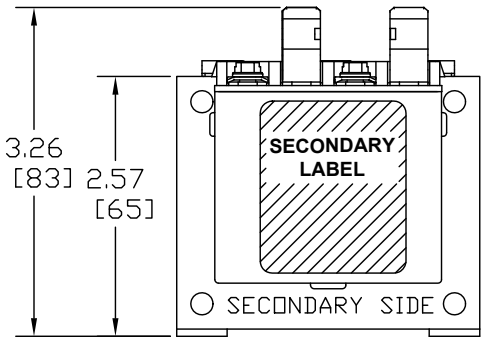


Transformer Specifications	
PRIMARY VOLTAGE(S)	208/277
SECONDARY VOLTAGE(S)	120
RATED V.A.	75
RATED FREQUENCY	50/60
INSULATION CLASS	105
AGENCY APPROVALS	UL, CUL
ESTIMATED WEIGHT	3.4 LBS



- NOTES:
1. ALL MEASUREMENTS IN INCHES (MM)
 2. TERMINAL SCREWS ARE COMBO #8-32 PHIL-SLOT-1/4" HEX WITH SEMS WASHER.
 3. SECONDARY FUSE CLIP ACCOMMODATES ONE 13/32" X 1-1/2" MIDGET FUSE.



PACKAGED ACCESSORIES	
1	
-	-

MICRON INDUSTRIES CORPORATION
 777 CHURCH ROAD ELMHURST, IL 60126
 Tel. (800)664-4660, (630)316-1222 Fax (630)316-1820
 CONTROL TRANSFORMER www.MicronTransformers.com

DATE	12/7/07	DRAWN	J.G.V	CHECKED		APPROVED	
RELEASE DATE		CUSTOMER PART NO.					

MICRON PART NO. B075MQ15XKA3
 B075MQ15XKB3

A	13 CONSTRUCTION	AN00XXXX	XX	XXXX
ECL	REVISIONS		BY	DATE

SIZE C SCALE NONE B075MQ15XK