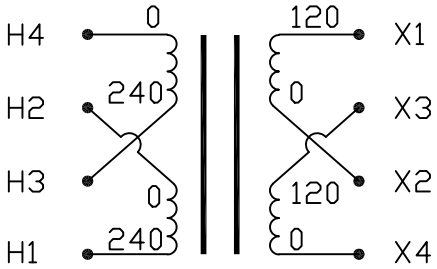
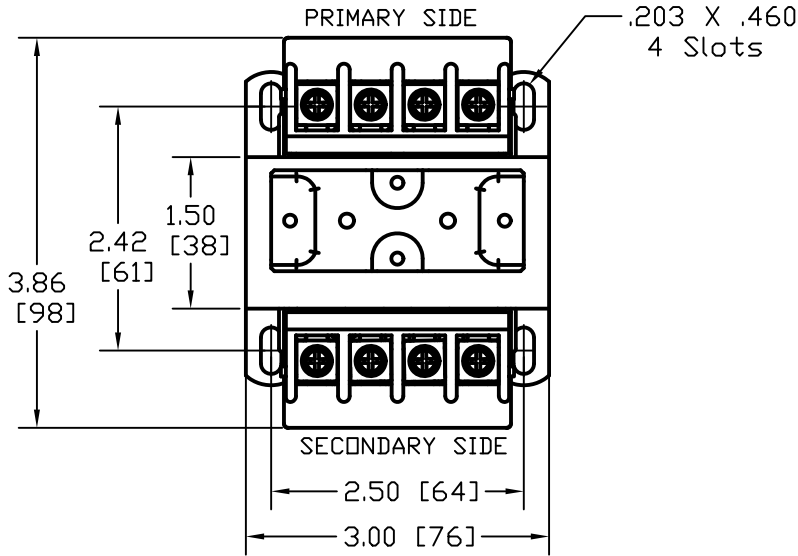
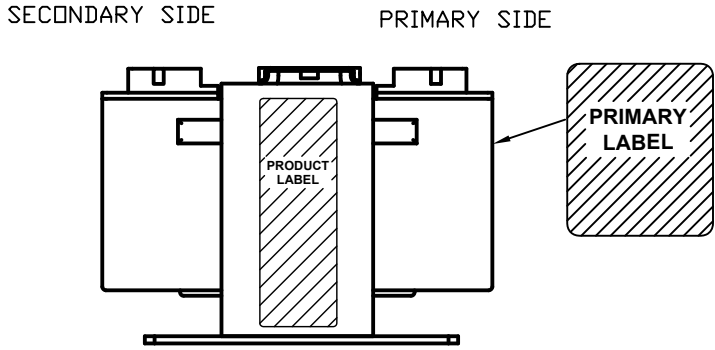
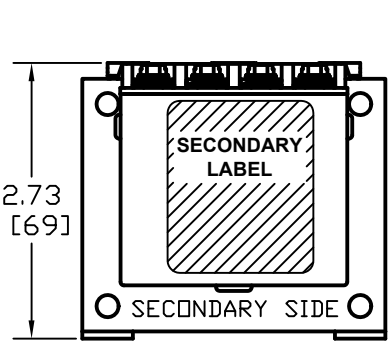


| Transformer Specifications | |
|----------------------------|---------|
| PRIMARY VOLTAGE(S) | 240x480 |
| SECONDARY VOLTAGE(S) | 120x240 |
| RATED V.A. | 75 |
| RATED FREQUENCY | 50/60 |
| INSULATION CLASS | 105 |
| AGENCY APPROVALS | UL,CUL |
| ESTIMATED WEIGHT | 3.4 LBS |



CONNECTION DIAGRAM

- NOTES:
1. ALL MEASUREMENTS IN INCHES (MM)
 2. TERMINAL SCREWS ARE COMBO #8-32 PHIL-SLOT-1/4" HEX WITH SEMS WASHER.



| PACKAGED ACCESSORIES | |
|----------------------|----------------------|
| 1 | 2 PAIR OF J2 JUMPERS |
| - | - |

MICRON INDUSTRIES CORPORATION
 777 CHURCH ROAD, ELMHURST, IL 60126
 Tel. (800)664-4660, (630)516-1222 Fax (630)516-1820
 CONTROL TRANSFORMER www.MicronTransformers.com

| | | | | | | | |
|--------------|---------|-------------------|-------|---------|--|----------|--|
| DATE | 11/5/07 | DRAWN | J.G.V | CHECKED | | APPROVED | |
| RELEASE DATE | | CUSTOMER PART NO. | | | | | |

MICRON PART NO. B075PU1519JJA3
 B075PU1519JJB3

| | | | | |
|-----|-----------------|----------|----|------|
| A | I3 CONSTRUCTION | AN00XXXX | XX | XXXX |
| ECL | REVISIONS | | BY | DATE |

SIZE C SCALE NONE B075PU1519JJ