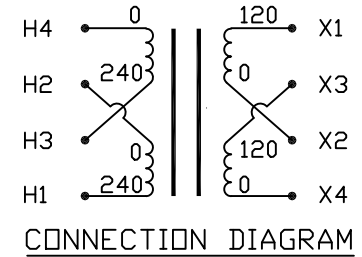
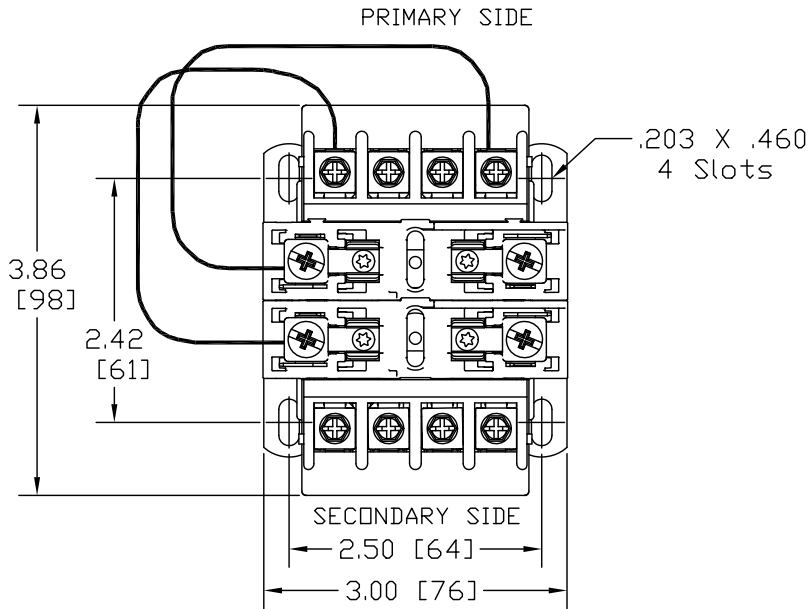
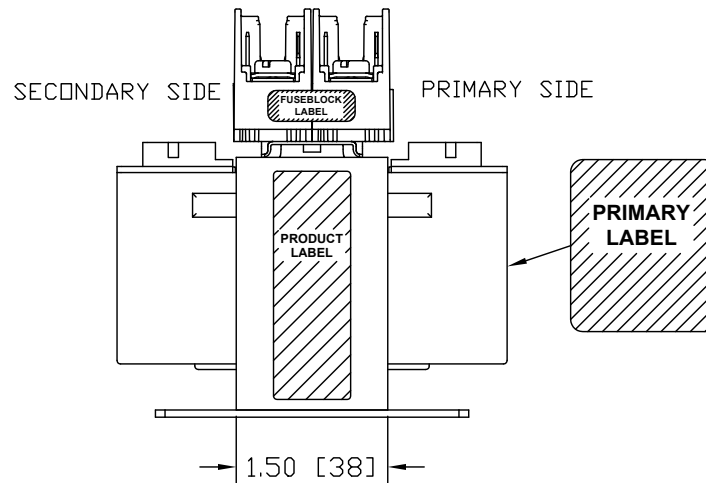
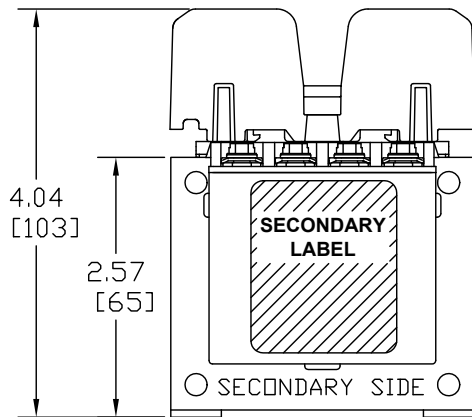


Transformer Specifications	
PRIMARY VOLTAGE(S)	240x480
SECONDARY VOLTAGE(S)	120x240
RATED V.A.	75
RATED FREQUENCY	50/60
INSULATION CLASS	105
AGENCY APPROVALS	UL,CUL
ESTIMATED WEIGHT	3.4 LBS



NOTES:

1. ALL MEASUREMENTS IN INCHES (MM)
2. TERMINAL SCREWS ARE COMBO #8-32 PHIL-SLOT-1/4" HEX WITH SEMS WASHER.
3. 2 POLE, CLASS "CC" PRIMARY FUSE BLOCK, ACCOMMODATES TWO 13/32" X 1-1/2" CLASS "CC" FUSES.



PACKAGED ACCESSORIES	
1	TWO PAIR OF J2 JUMPERS
-	-

MICRON INDUSTRIES CORPORATION
 1211 W. 22nd STREET, Suite 200, OAK BROOK, ILL.
 Tel. (800)664-4660, (630)516-1222 Fax (630)516-1820
 www.MicronPower.com

DATE 10/29/07 DRAWN J.G.V. CHECKED APPROVED
 RELEASE DATE CUSTOMER PART NO.

MICRON PART NO. B075PU1519RRA3
 B075PU1519RRB3

A	I3 CONSTRUCTION	AN00XXX	XX	XXXX	SCALE	C	NONE
ECL	REVISIONS		BY	DATE			B075PU1519RR