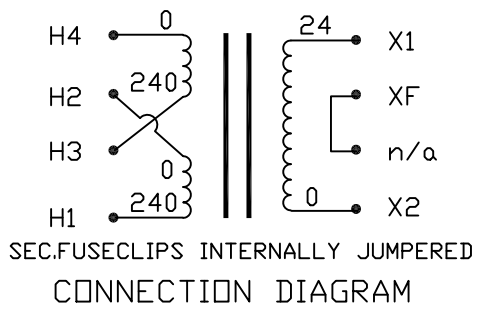
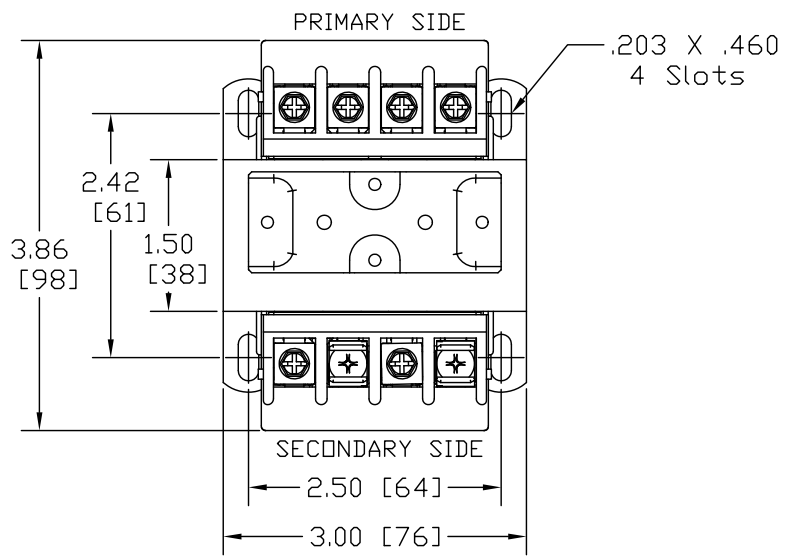
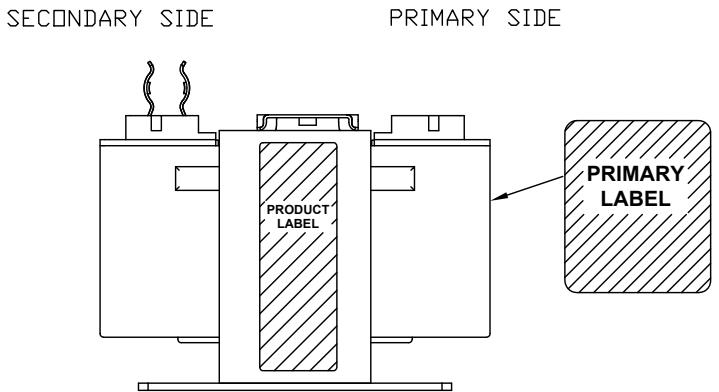
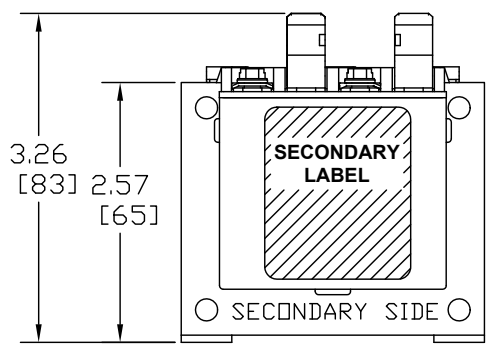


Transformer Specifications	
PRIMARY VOLTAGE(S)	240x480
SECONDARY VOLTAGE(S)	24
RATED V.A.	75
RATED FREQUENCY	50/60
INSULATION CLASS	105
AGENCY APPROVALS	UL,CUL
ESTIMATED WEIGHT	3.4 LBS



- NOTES:
1. ALL MEASUREMENTS IN INCHES (MM)
 2. TERMINAL SCREWS ARE COMBO #8-32 PHIL-SLOT-1/4" HEX WITH SEMS WASHER.
 3. SECONDARY FUSE CLIP ACCOMMODATES ONE 13/32" X 1-1/2" MIDGET FUSE.



PACKAGED ACCESSORIES	
1	ONE PAIR OF J2 JUMPERS
-	-

MICRON INDUSTRIES CORPORATION
 777 CHURCH ROAD, ELMHURST, IL 60126
 Tel. (630)664-4660, (630)516-1222 Fax (630)516-1820
 CONTROL TRANSFORMER www.MicronTransformers.com

DATE	1/10/07	DRAWN	RN	CHECKED	APPROVED
RELEASE DATE		CUSTOMER PART NO.			
MICRON PART NO.	B075PU7JKA3		B075PU7JKB3		
SIZE	C	SCALE	NONE		
B075PU7JK					

A	I3 CONSTRUCTION	AN00XXXX	XX	XXXX
ECL	REVISIONS		BY	DATE