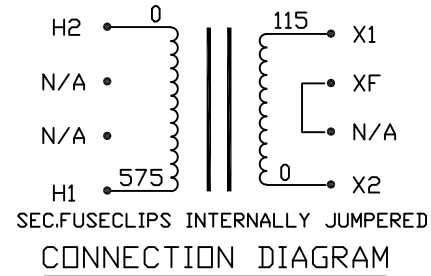
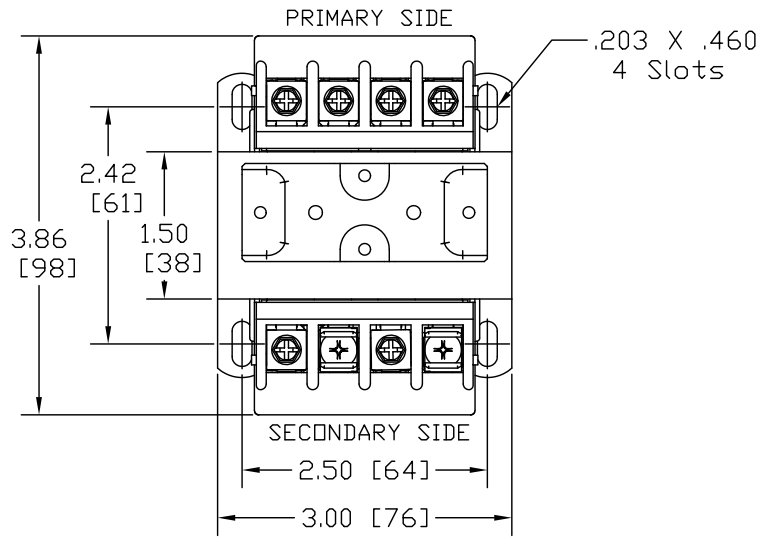
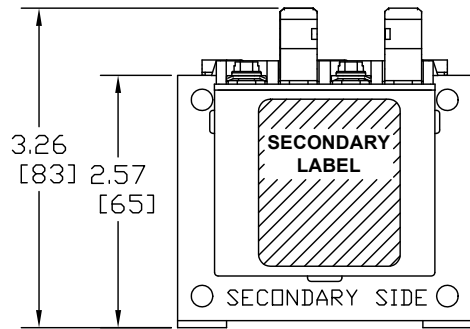


Transformer Specifications	
PRIMARY VOLTAGE(S)	575 (TRIPLE RATED)
SECONDARY VOLTAGE(S)	115
RATED V.A.	75
RATED FREQUENCY	50/60
INSULATION CLASS	105
AGENCY APPROVALS	UL, CUL
ESTIMATED WEIGHT	3.4 LBS



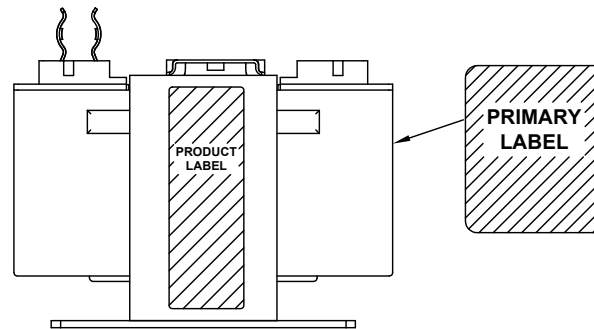
NOTES:

1. ALL MEASUREMENTS IN INCHES (MM)
2. TERMINAL SCREWS ARE COMBO #8-32 PHIL-SLOT-1/4" HEX WITH SEMS WASHER.
3. SECONDARY FUSE CLIP ACCOMMODATES ONE 13/32" X 1-1/2" MIDGET FUSE.



SECONDARY SIDE

PRIMARY SIDE



PACKAGED ACCESSORIES			
1			
-	-		
MICRON INDUSTRIES CORPORATION 777 CHURCH ROAD, ELMHURST, IL 60126 Tel: (800)664-1650, (630)516-1222 Fax: (630)516-1820 www.MicronTransformers.com			
DATE	1/9/08	DRAWN	J.G.V
RELEASE DATE		CHECKED	
		CUSTOMER PART NO.	
MICRON PART NO.	B075WZ13XKA3 B075WZ13XKB3		
SIZE	C	SCALE	NONE
B075WZ13XK			

A	I3 CONSTRUCTION	AN00XXXX	XX	XXXX
ECL	REVISIONS		BY	DATE