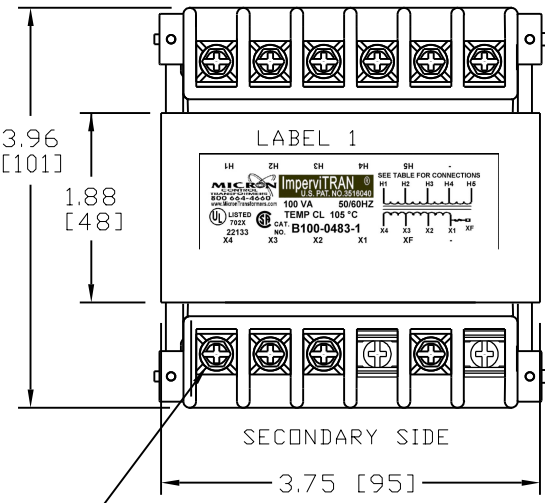
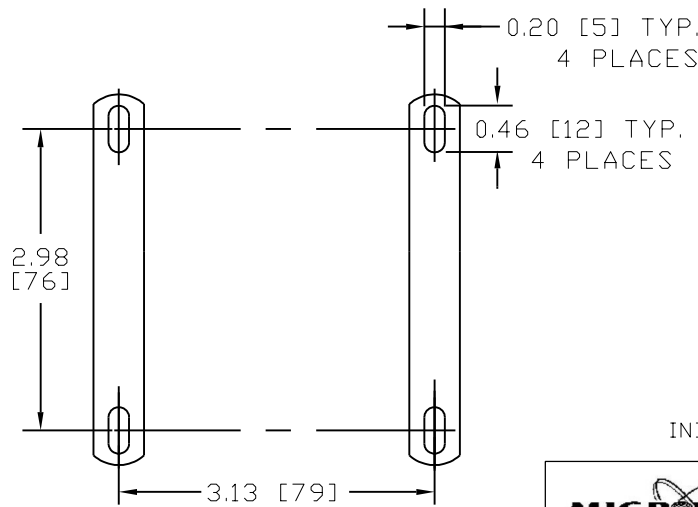


PRIMARY SIDE



TERMINAL SCREWS ARE COMBINATION 10-32 PHIL-SLOT-1/4" HEX WITH SEMS WASHER

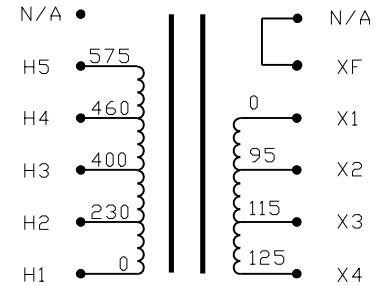


MOUNTING DIMENSIONS

Transformer Specifications	
PRIMARY VOLTAGE(S)	230/400/460/575 (UNIVERSAL)
SECONDARY VOLTAGE(S)	95/115/125
RATED V.A.	100
RATED FREQUENCY	50/60
INSULATION CLASS	105
AGENCY APPROVALS	UL, CSA
ESTIMATED WEIGHT	6.8 LBS

FOR TEST REQUIREMENTS SEE COIL DRAWING

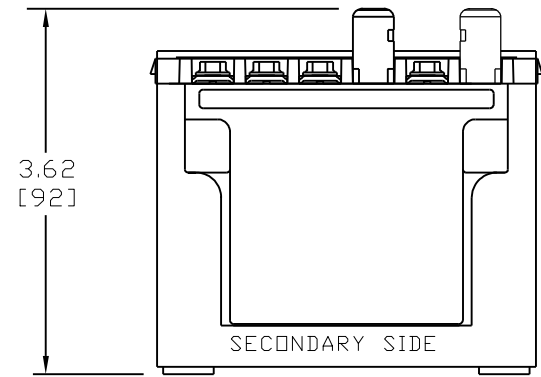
PRIMARY SECONDARY



INTERNALLY JUMPED TO FUSE TERMINAL

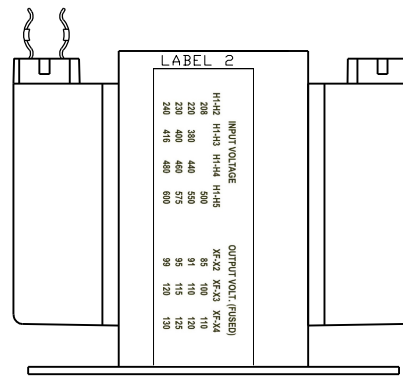
CONNECTION DIAGRAM

NOTE:
1. ALL MEASUREMENTS IN INCHES (MM)



SECONDARY SIDE

PRIMARY SIDE



IND. BOX LABEL

100VA
PRIMARY:
 208//600
SECONDARY:
 85//130
FREQUENCY:
 50/60 HZ

QTY. 1

MADE IN USA

Cat.
B100-0483-1

22133

LABEL 2

INPUT VOLTAGE				OUTPUT VOLT. (FUSED)		
H1-H2	H1-H3	H1-H4	H1-H5	XF-X2	XF-X3	XF-X4
208	380	440	500	85	100	110
220	400	460	550	91	110	120
230	400	460	575	95	115	125
240	416	480	600	99	120	130

TOP

LABEL 1

ImperviTRAN
 U.S. PAT. NO. 3518040
100 VA 50/60HZ
 TEMP CL 105 °C
 CAT. NO. **B100-0483-1**

SEE TABLE FOR CONNECTIONS

PACKAGED ACCESSORIES

1	
-	-
-	-

MICRON INDUSTRIES CORPORATION
 1211 W. 22nd STREET, Suite 200, DAK BROOK, ILL.
 Tel. (630)664-4660, (630)516-1222 Fax (630)516-1820
 www.MicronPower.com

DATE	6/15/10	DRAWN	J.G.V	CHECKED		APPROVED	
RELEASE DATE		CUSTOMER PART NO.					
MICRON PART NO.	B100-0483-1A7777A0 B100-0483-1A7777B0						
SIZE	C	SCALE	NONE	B100-0483-1			

REVISIONS	BY	DATE
A	J.V	6/4/13
ECL	J.V	6/15/10