

MICRON CONTROL TRANSFORMERS
800 664-4660
www.MicronTransformers.com

100 VA
PRIMARY:
208/230/460

SECONDARY:
24/115

FREQUENCY:
50/60Hz

QTY. 1

UL US

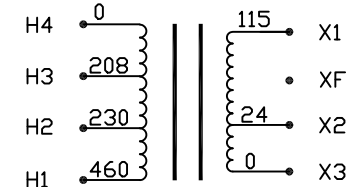
MADE IN USA

CAT.
B100-2002-8

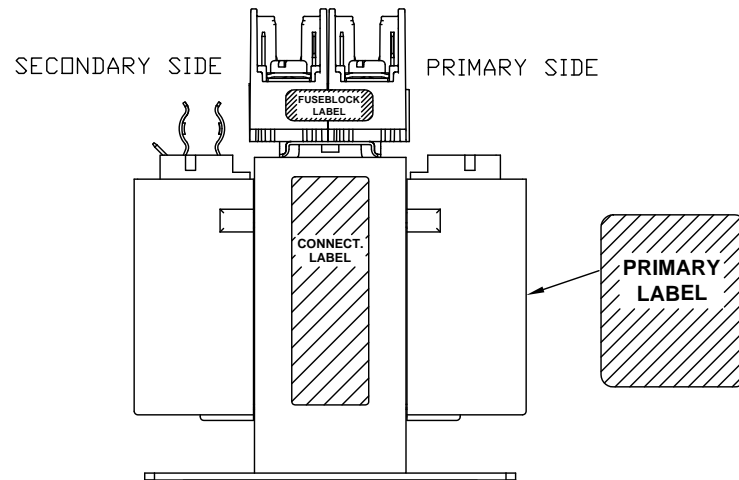
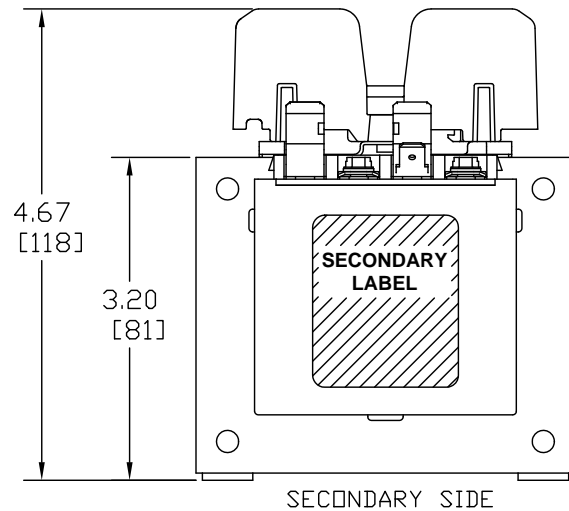
B100-2002-8

00205

Transformer Specifications	
PRIMARY VOLTAGE(S)	208/230/460 (TRIPLE RATED)
SECONDARY VOLTAGE(S)	24/115
RATED V.A.	100
RATED FREQUENCY	50/60
INSULATION CLASS	105
AGENCY APPROVALS	UL, CUL
ESTIMATED WEIGHT	6.7 LBS



CONNECTION DIAGRAM



NOTES:

1. ALL MEASUREMENTS IN INCHES (MM)
2. TERMINAL SCREWS ARE COMBO #8-32 PHIL-SLOT-1/4" HEX WITH SEMS WASHER.
3. 2 POLE, CLASS "CC" PRIMARY FUSE BLOCK, ACCOMMODATES TWO 13/32" X 1-1/2" CLASS "CC" FUSES.
4. SECONDARY FUSE CLIP ACCOMMODATES ONE 13/32" X 1-1/2" MIDGET FUSE.

H4 H3 H2 H1

ImperviTRAN
U.S. PAT. NO. 3516040

MICRON CONTROL TRANSFORMERS
800 664-4660
www.MicronTransformers.com

100 VA
50/60 HZ

UL US LISTED 702X TEMP CL 105 °C

CAT. NO. **B100-2002-8**

00205

X3 X2 XF X1

MOVE LEAD H TO SELECT INPUT VOLTAGE
See Table for Connections

X3 X2 XF X1

CAT. NO. **B100-2002-8**

H1F, H2F H4F
or H3F

	INPUT VOLTAGE			OUTPUT VOLTAGE	
	H4-H3	H4-H2	H4-H1	XF-X2	XF-X1
	--	240	480	25	120
	208	230	460	24	115
	200	220	440	23	110

NOTE: IF BOTH OUTPUTS ARE USED SIMULTANEOUSLY, REPLACE XF WITH X3 AND FUSE THROUGH X2 AND X1 IF REQUIRED

PACKAGED ACCESSORIES

1	
-	-

MICRON INDUSTRIES CORPORATION
1211 W. 22nd STREET, SUITE 200, DAK BROOK, ILL.
Tel. (800)664-4660, (630)516-1222 Fax (630)516-1820
www.MicronPower.com

DATE	12/9/19	DRAWN	JAW	CHECKED	APPROVED
RELEASE DATE		CUSTOMER PART NO.			
MICRON PART NO.	B100-2002-8A3		B100-2002-8B3		
SIZE	A	SCALE	1/3 CONSTRUCTION	AN006477	JV
ECL	REVISIONS	DATE	12/9/19	BY	
SIZE	C	SCALE	NONE	B100-2002-8	