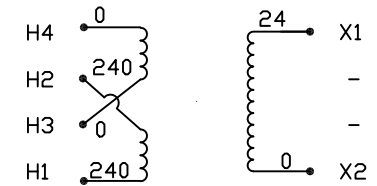


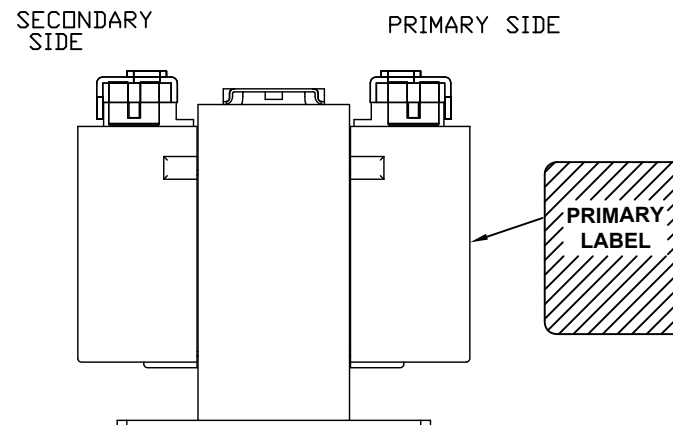
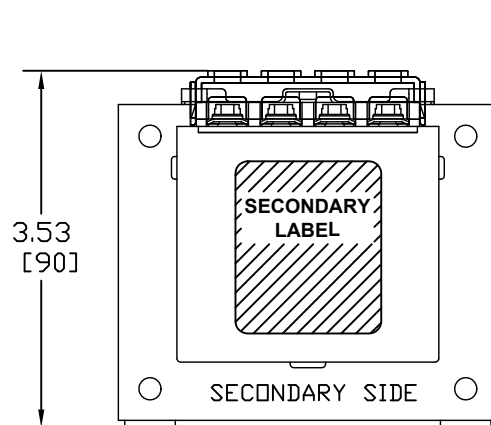
Transformer Specifications	
PRIMARY VOLTAGE(S)	240X480
SECONDARY VOLTAGE(S)	24
RATED V.A.	100
RATED FREQUENCY	50/60
INSULATION CLASS	105
AGENCY APPROVALS	UL, CUL

CONNECTION DIAGRAM



NOTES:

1. ALL MEASUREMENTS IN INCHES (MM)
2. TERMINAL SCREWS ARE COMBO #8-32 PHIL-SLOT-1/4" HEX WITH SEMS WASHER.
3. IP-20 TERMINAL COVERS INSTALLED



PACKAGED ACCESSORIES	
1	1 PAIR OF JUMPERS
-	-

**MICRON** INDUSTRIES CORPORATION  
777 BARKER ROAD, ELK GROVE, IL 60120  
Tel: 630-604-4444, 630-604-1822 Fax: 630-604-1828  
www.MicronTransformers.com

DATE	05/09/07	DRAWN	RN	CHECKED		APPROVED	
RELEASE DATE		DIST. P/N					
TRUCKER P/N	B100-2013-GAA3						
SIZE	A	SCALE	1:3 CONSTRUCTION	AN00XXXX	XX	XXXX	
ECL		REVISIONS		BY		DATE	
SIZE	C	SCALE	NONE				B100-2013-GA