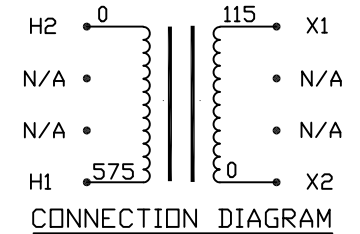
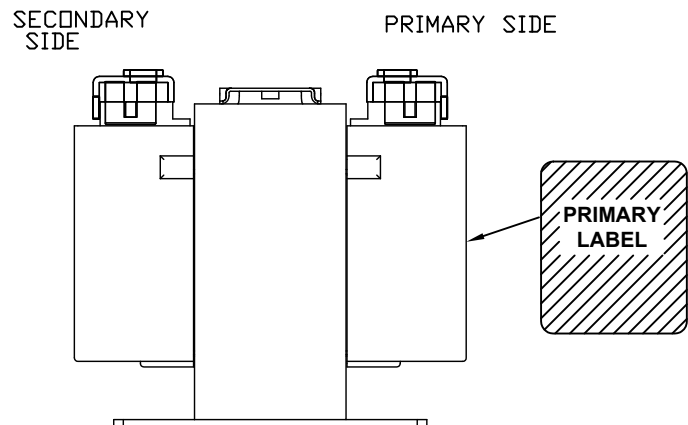
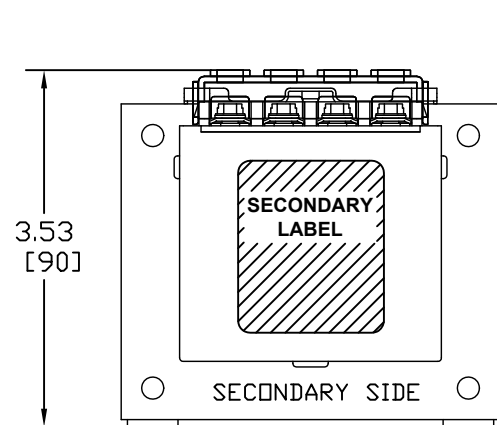


Transformer Specifications	
PRIMARY VOLTAGE(S)	575 (TRIPLE RATED)
SECONDARY VOLTAGE(S)	115
RATED V.A.	100
RATED FREQUENCY	50/60
INSULATION CLASS	105
AGENCY APPROVALS	UL, CUL, IEC558
ESTIMATED WEIGHT	4.9 LBS



NOTES:

1. ALL MEASUREMENTS IN INCHES (MM)
2. TERMINAL SCREWS ARE COMBO #8-32 PHIL-SLOT-1/4" HEX WITH SEMS WASHER.
3. IP-20 TERMINAL COVERS INSTALLED



PACKAGED ACCESSORIES			
-	-		
MICRON INDUSTRIES CORPORATION 777 CHURCH ROAD, ELMHURST, IL 60126 Tel. (630)664-4660, (630)216-1222 Fax (630)516-1820 www.MicronTransformers.com			
DATE	12/21/07	DRAWN	J.G.V.
RELEASE DATE		CHECKED	
MICRON PART NO.	B100-2043-GAA3		
SIZE	C	SCALE	NONE
A I3 CONSTRUCTION REVISIONS			AN00XXXX XX XXXX
ECL	BY	DATE	
B100-2043-GA			
