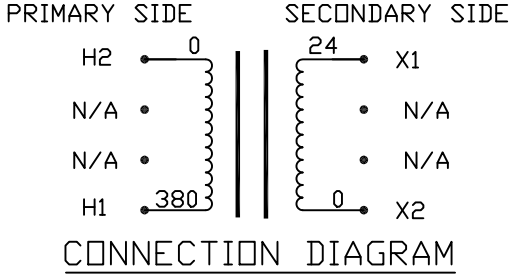
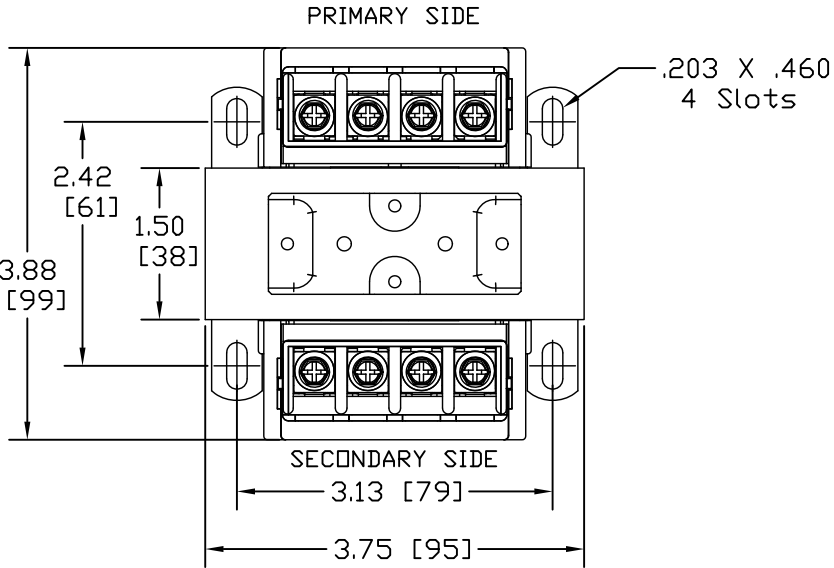
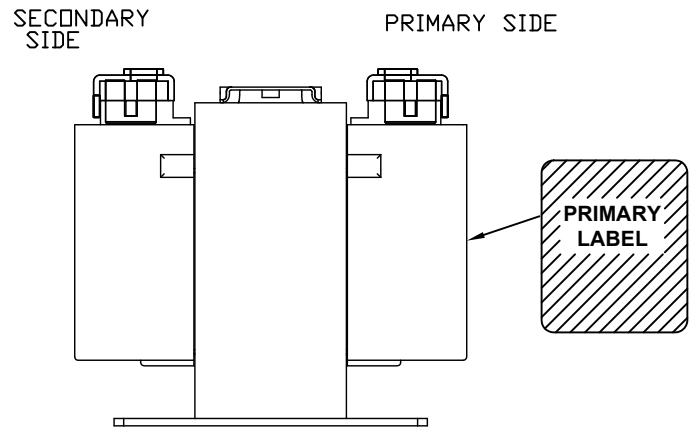
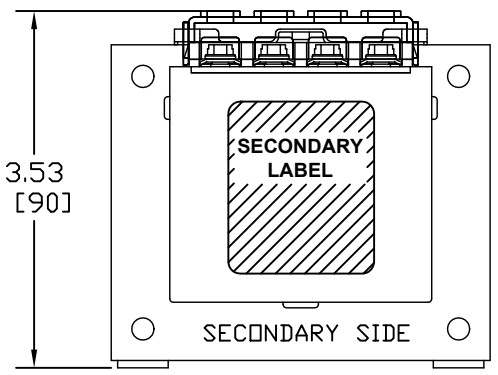


Transformer Specifications	
PRIMARY VOLTAGE(S)	380
SECONDARY VOLTAGE(S)	24
RATED V.A.	100
RATED FREQUENCY	50/60
INSULATION CLASS	105
AGENCY APPROVALS	UL, CUL, IEC5583
ESTIMATED WEIGHT	5.5 LBS



- NOTES:
1. ALL MEASUREMENTS IN INCHES (MM)
  2. TERMINAL SCREWS ARE COMBO #8-32 PHIL-SLOT-1/4" HEX WITH SEMS WASHER.
  3. IP-20 TERMINAL COVERS INSTALLED



PACKAGED ACCESSORIES			
1			
-	-		
<b>MICRON INDUSTRIES CORPORATION</b> 1211 W. 22nd STREET, Suite 200, OAK BROOK, ILL. Tel. (800)664-4660, (630)516-1222 Fax (630)516-1820 www.MicronPower.com			
DATE	11/5/09	DRAWN	J.G.V
RELEASE DATE		CHECKED	
		APPROVED	
MICRON PART NO.		B100-2053-GAA3	
		B100-2053-GAB3	
SIZE	C	SCALE	NONE
		B100-2053-GA	

A	I3 CONSTRUCTION	AN00XXXX	XX	XXXX
ECL	REVISIONS		BY	DATE