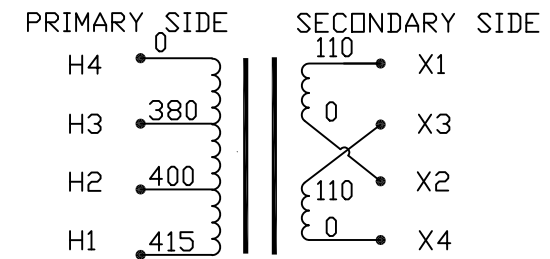


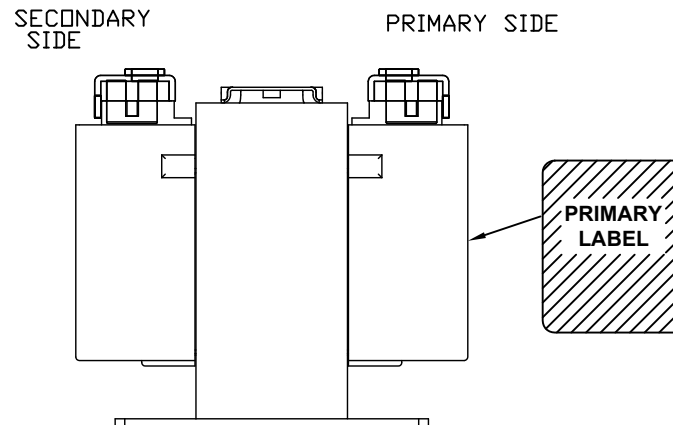
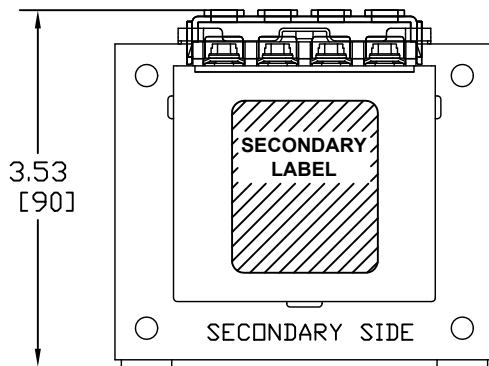
| Transformer Specifications | |
|----------------------------|---------------------|
| PRIMARY VOLTAGE(S) | 380/400/415 |
| SECONDARY VOLTAGE(S) | 110x220 |
| RATED V.A. | 100 |
| RATED FREQUENCY | 50/60 |
| INSULATION CLASS | 105 |
| AGENCY APPROVALS | UL, CUL, IEC558-2-2 |
| ESTIMATED WEIGHT | 5.5 LBS |



CONNECTION DIAGRAM

NOTES:

1. ALL MEASUREMENTS IN INCHES (MM)
2. TERMINAL SCREWS ARE COMBO #8-32 PHIL-SLOT-1/4" HEX WITH SEMS WASHER.
3. IP-20 TERMINAL COVERS INSTALLED



| PACKAGED ACCESSORIES | |
|----------------------|---------------------|
| 1 | ONE PAIR OF JUMPERS |
| - | - |

MICRON INDUSTRIES CORPORATION
 1211 W. 22nd STREET, Suite 200, OAK BROOK, ILL.
 Tel. (800)664-4660, (630)516-1222 Fax (630)516-1820
 www.MicronPower.com

| | | | | | | | |
|------|----------|-------|-------|---------|--|----------|--|
| DATE | 12/29/09 | DRAWN | J.G.V | CHECKED | | APPROVED | |
|------|----------|-------|-------|---------|--|----------|--|

| | | | |
|--------------|--|-------------------|--|
| RELEASE DATE | | CUSTOMER PART NO. | |
|--------------|--|-------------------|--|

| | |
|-----------------|----------------|
| MICRON PART NO. | B100-2063-GAA3 |
| | B100-2063-GAB3 |

| | | |
|------|-------|--------------|
| SIZE | SCALE | |
| C | NONE | B100-2063-GA |

| | | | | |
|-----|-----------------|----------|----|------|
| A | I3 CONSTRUCTION | AN00XXXX | XX | XXXX |
| ECL | REVISIONS | | BY | DATE |