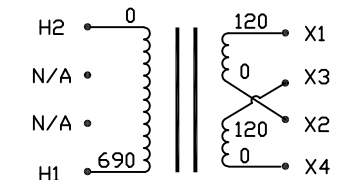


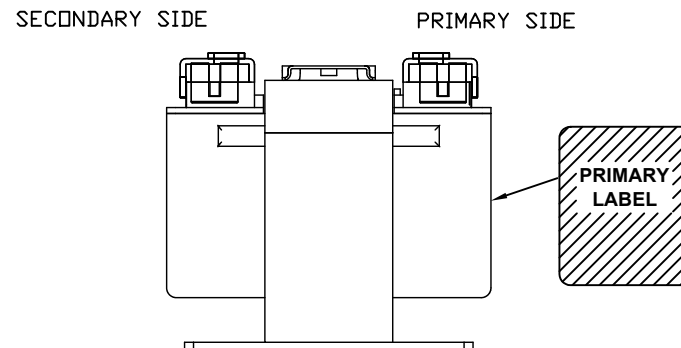
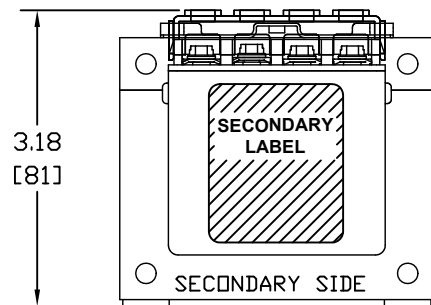
Transformer Specifications	
PRIMARY VOLTAGE(S)	690
SECONDARY VOLTAGE(S)	120x240
RATED V.A.	100
RATED FREQUENCY	50/60
INSULATION CLASS	105
AGENCY APPROVALS	NO U.L OR C.U.L APPROVALS
ESTIMATED WEIGHT	4.1 LBS



CONNECTION DIAGRAM

NOTES:

1. ALL MEASUREMENTS IN INCHES (MM)
2. TERMINAL SCREWS ARE COMBO #8-32 PHIL-SLOT-1/4" HEX WITH SEMS WASHER.
3. IP-20 TERMINAL COVERS INSTALLED



PACKAGED ACCESSORIES	
1	PAIR OF J2 JUMPERS
-	-

				<b>MICRON INDUSTRIES CORPORATION</b> <small>1211 W. 22nd STREET, Suite 200, OAK BROOK, ILL.            Tel. (800)664-4660, (630)516-1222 Fax (630)516-1820            www.MicronPower.com</small>			
DATE		DRAWN		CHECKED		APPROVED	
6/9/11		J.G.V.					
RELEASED				CUSTOMER PART NO.			
				MICRON PART NO. B100-3657-5A3			
B		I3 CONSTRUCTION		AN00XXXX		XX XXXX	
A		NEW		AN004873		J.V 6/9/11	
ECL		REVISIONS		BY		DATE	
SIZE		SCALE		B100-3657-5			
B		SCALE					