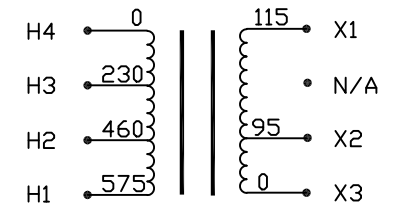


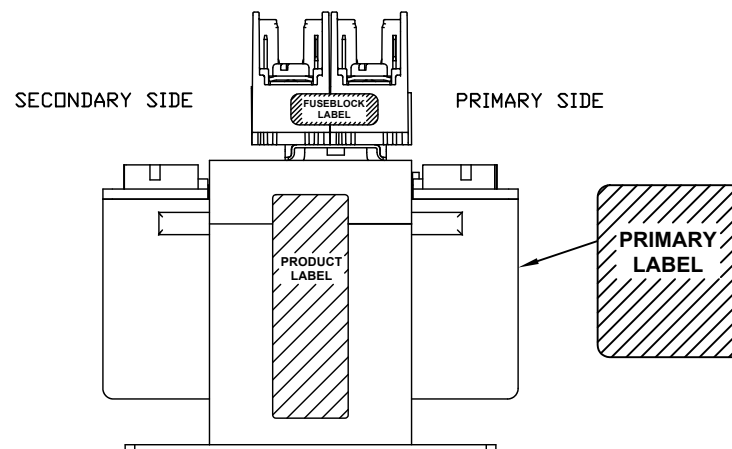
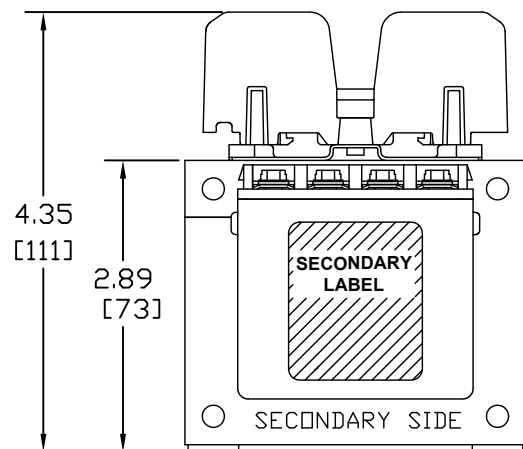
Transformer Specifications	
PRIMARY VOLTAGE(S)	230/460/575
SECONDARY VOLTAGE(S)	95/115
RATED V.A.	100
RATED FREQUENCY	50/60
INSULATION CLASS	105
AGENCY APPROVALS	UL, CUL
ESTIMATED WEIGHT	5.5 LBS



CONNECTION DIAGRAM

NOTES:

1. ALL MEASUREMENTS IN INCHES (MM)
2. TERMINAL SCREWS ARE COMBO #8-32 PHIL-SLOT-1/4" HEX WITH SEMS WASHER.
3. 2 POLE, CLASS "CC" PRIMARY FUSE BLOCK, ACCOMMODATES TWO 13/32" X 1-1/2" CLASS "CC" FUSES.



PACKAGED ACCESSORIES	
1	
-	-

MICRON INDUSTRIES CORPORATION
 1211 W. 22ND STREET, SUITE 200, OAK BROOK, ILL.
 TRANSFORMER CONTROL
 Tel: (800)664-4660, (630)516-1222 Fax: (630)516-1820
 www.MicronPower.com

DATE	4/30/08	DRAWN	J.G.V.	CHECKED		APPROVED	
RELEASE DATE		CUSTOMER PART NO.					
MICRON PART NO.	B100BTW37RXA3		B100BTW37RXB3				
SIZE	C	SCALE	NONE	B100BTW37RX			
A	13 CONSTRUCTION	AN00XXXX	XX	XXXX	BY	DATE	
ECL	REVISIONS						