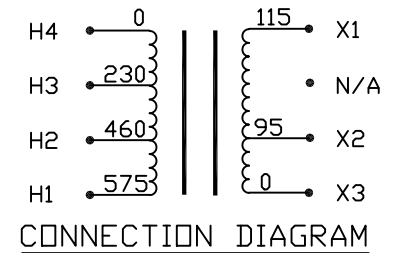
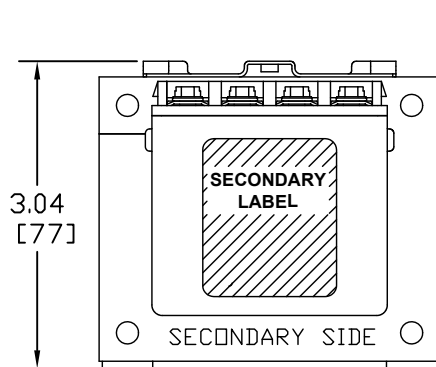


Transformer Specifications	
PRIMARY VOLTAGE(S)	230/460/575
SECONDARY VOLTAGE(S)	95/115
RATED V.A.	100
RATED FREQUENCY	50/60
INSULATION CLASS	105
AGENCY APPROVALS	UL, CUL
ESTIMATED WEIGHT	5.5 LBS

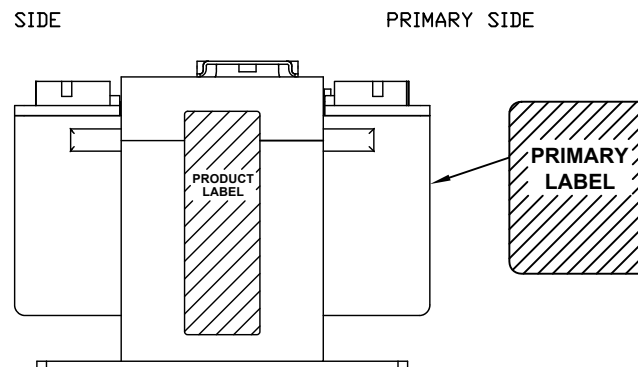


NOTES:

1. ALL MEASUREMENTS IN INCHES (MM)
2. TERMINAL SCREWS ARE COMBO #8-32 PHIL-SLOT-1/4" HEX WITH SEMS WASHER.



SECONDARY SIDE



PRIMARY SIDE

PACKAGED ACCESSORIES	
1	
-	-

MICRON MICRON INDUSTRIES CORPORATION
 CONTROL TRANSFORMER 1211 W. 22nd STREET, Suite 200, DAK BROOK, ILL.
 Tel. (800)664-4660, (630)516-1222 Fax (630)516-1820
 www.MicronPower.com

DATE	4/30/08	DRAWN	J.G.V	CHECKED		APPROVED	
RELEASE DATE		CUSTOMER PART NO.					
MICRON PART NO.	B100BTW37XXA3			B100BTW37XXB3			
SIZE	C	SCALE	NONE	B100BTW37XX			
A	I3 CONSTRUCTION	AN00XXXX	XX	XXXX			
ECL	REVISIONS		BY	DATE			