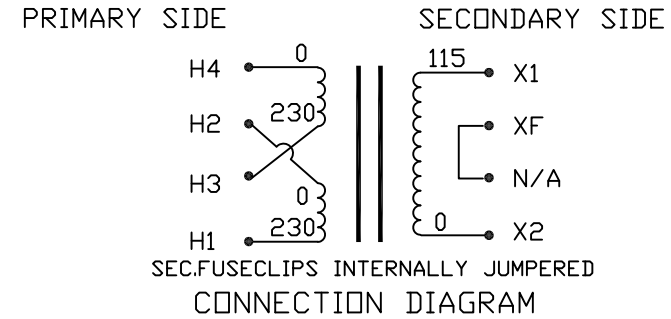
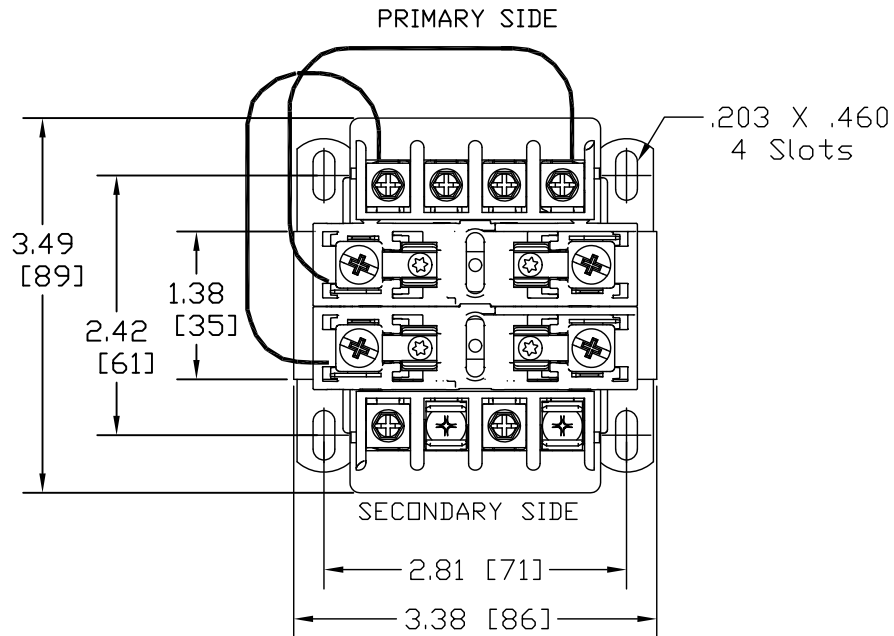
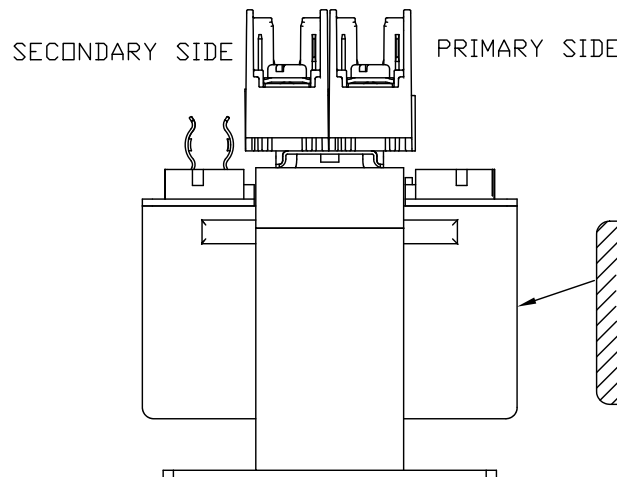
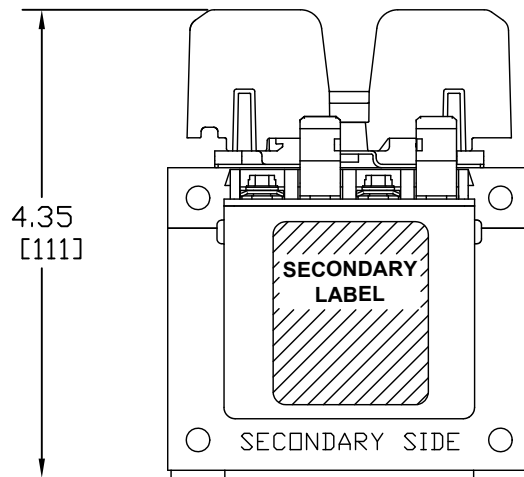


Transformer Specifications	
PRIMARY VOLTAGE(S)	230x460 TRIPLE RATED
SECONDARY VOLTAGE(S)	115
RATED V.A.	100
RATED FREQUENCY	50/60
INSULATION CLASS	105
AGENCY APPROVALS	UL, CUL
ESTIMATED WEIGHT	7.9 LBS



NOTES:

1. ALL MEASUREMENTS IN INCHES (MM)
2. TERMINAL SCREWS ARE COMBO #8-32 PHIL-SLOT-1/4" HEX WITH SEMS WASHER.
3. 2 POLE, CLASS "CC" PRIMARY FUSE BLOCK, ACCOMMODATES TWO 13/32" X 1-1/2" CLASS "CC" FUSES.
4. SECONDARY FUSE CLIP ACCOMMODATES ONE 13/32" X 1-1/2" MIDGET FUSE.



PACKAGED ACCESSORIES			
1	1 PAIR OF JUMPERS		
-	-		
MICRON INDUSTRIES CORPORATION 1211 W. 22nd STREET, Suite 200, OAK BROOK, ILL. Tel. (800)664-4660, (630)516-1222 Fax (630)516-1820 www.MicronPower.com			
DATE	8/17/09	DRAWN	J.G.V.
CHECKED		APPROVED	
RELEASE DATE		CUSTOMER PART NO.	
MICRON PART NO.	B100BTZ13RBA3 B100BTZ13RBB3		
SIZE	C	SCALE	NONE
B100BTZ13RB			

A	I3 CONSTRUCTION	AN00XXXX	XX	XXXX
ECL	REVISIONS	BY	DATE	