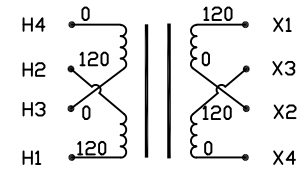
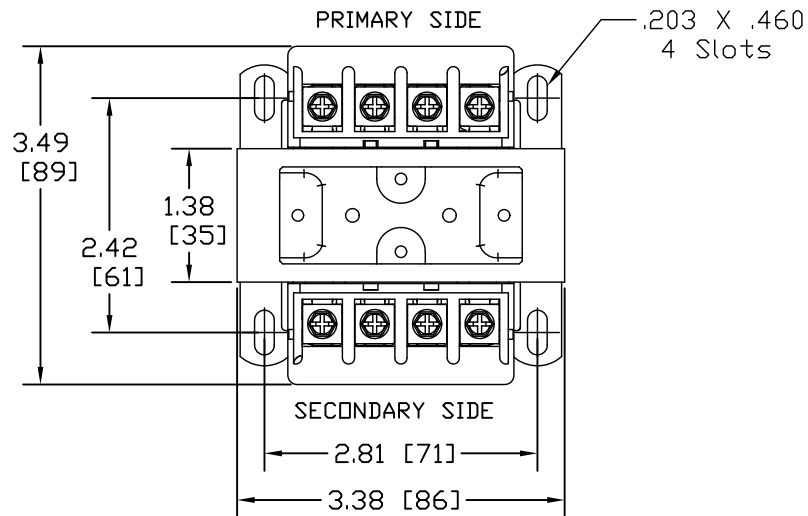


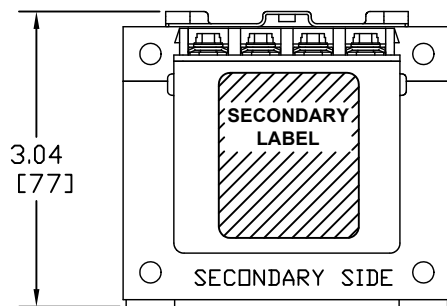
Transformer Specifications	
PRIMARY VOLTAGE(S)	120x240
SECONDARY VOLTAGE(S)	120x240
RATED V.A.	100
RATED FREQUENCY	50/60
INSULATION CLASS	105
AGENCY APPROVALS	UL,CUL
ESTIMATED WEIGHT	4.4 LBS



CONNECTION DIAGRAM

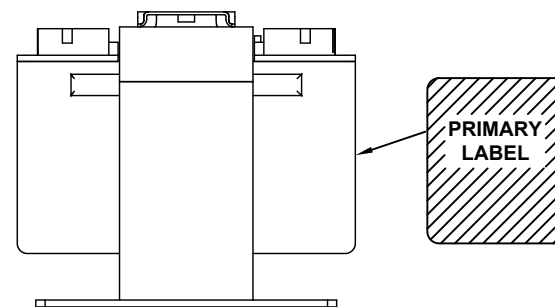
NOTES:

1. ALL MEASUREMENTS IN INCHES (MM)
2. TERMINAL SCREWS ARE COMBO #8-32 PHIL-SLOT-1/4" HEX WITH SEMS WASHER.



SECONDARY SIDE

PRIMARY SIDE



PACKAGED ACCESSORIES	
1	2 PAIR OF J2 JUMPERS
-	-

**MICRON** MICRON INDUSTRIES CORPORATION  
 CONTROL 777 CHURCH ROAD - ELMHURST, IL 60126  
 TRANSFORMER Tel. (800)664-4660, (630)516-1222 Fax (630)516-1820  
 www.MicronTransformers.com

DATE	3/11/09	DRAWN	J.G.V	CHECKED		APPROVED	
RELEASE DATE		CUSTOMER PART NO.					

B	I3 CONSTRUCTION	AN00XXXX	XX	XXXX		
A	NEW			J.V	3/11/09	
ECL		REVISIONS		BY	DATE	

MICRON PART NO.	B100LP1519JJA3 B100LP1519JJB3
SIZE	C
SCALE	NONE
B100LP1519JJ	