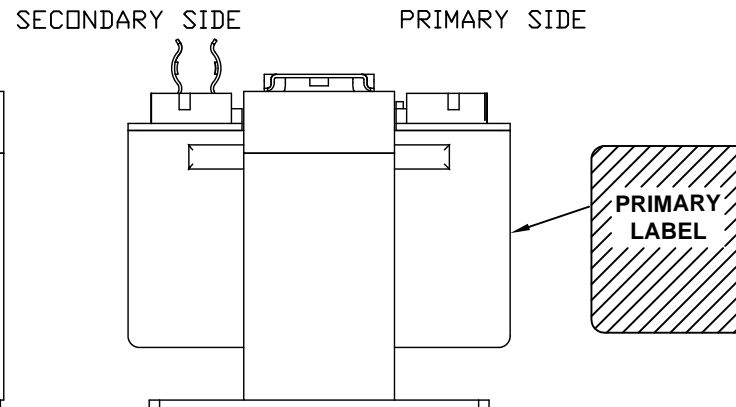
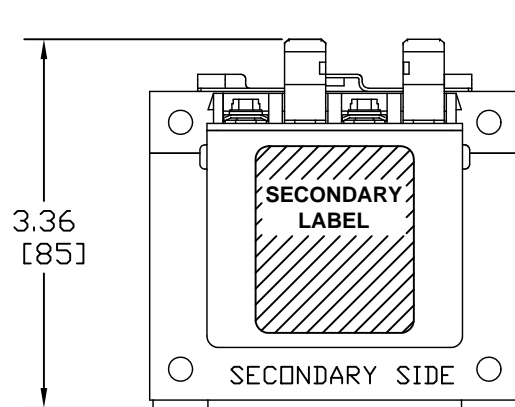
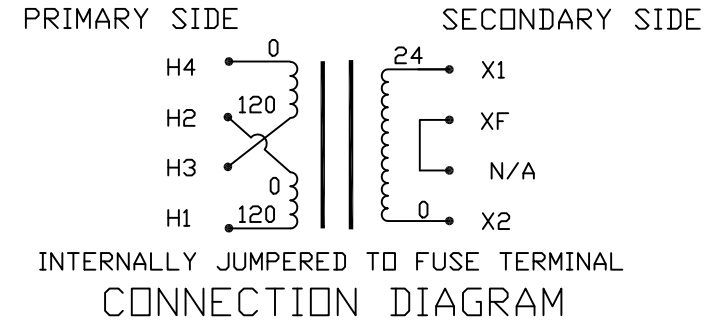
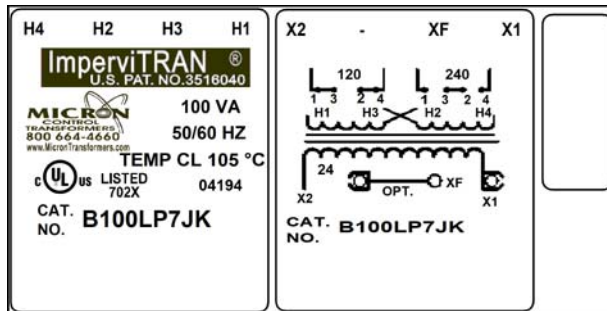


Transformer Specifications	
PRIMARY VOLTAGE(S)	120x240
SECONDARY VOLTAGE(S)	24
RATED V.A.	100
RATED FREQUENCY	50/60
INSULATION CLASS	105
AGENCY APPROVALS	UL, CUL
ESTIMATED WEIGHT	4.2 LBS



- NOTES:
1. ALL MEASUREMENTS IN INCHES (MM)
 2. TERMINAL SCREWS ARE COMBO #8-32 PHIL-SLOT-1/4" HEX WITH SEMS WASHER.
 3. SECONDARY FUSE CLIP ACCOMMODATES ONE 13/32" X 1-1/2" MIDGET FUSE.



PACKAGED ACCESSORIES					
1	ONE PAIR OF JUMPERS				
-	-				
MICRON INDUSTRIES CORPORATION 1211 W.22nd STREET, Suite 200, DAK BROOK, ILL. Tel. (800)664-4660, (630)516-1222 Fax (630)516-1820 www.MicronPower.com					
DATE	12/13/18	DRAWN	JAW	CHECKED	APPROVED
RELEASE DATE		CUSTOMER PART NO.			
MICRON PART NO.	B100LP7JKA3		B100LP7JKB3		
SIZE	SCALE	C NONE			
ECL		REVISIONS			
		BY	DATE		
		B100LP7JK			

REV	DESCRIPTION	DATE	BY
B	BASE MODEL CONVERSION	AN006467	JW 11/19/19
A	I3 CONSTRUCTION	AN006303	JW 12/13/18
ECL	REVISIONS		BY DATE