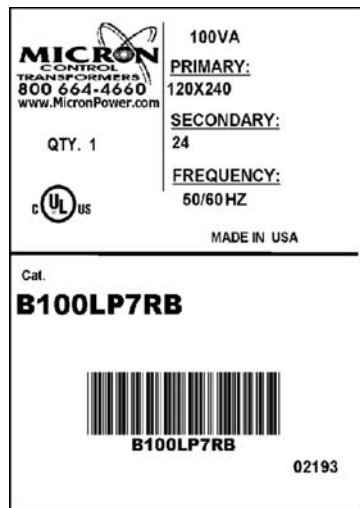
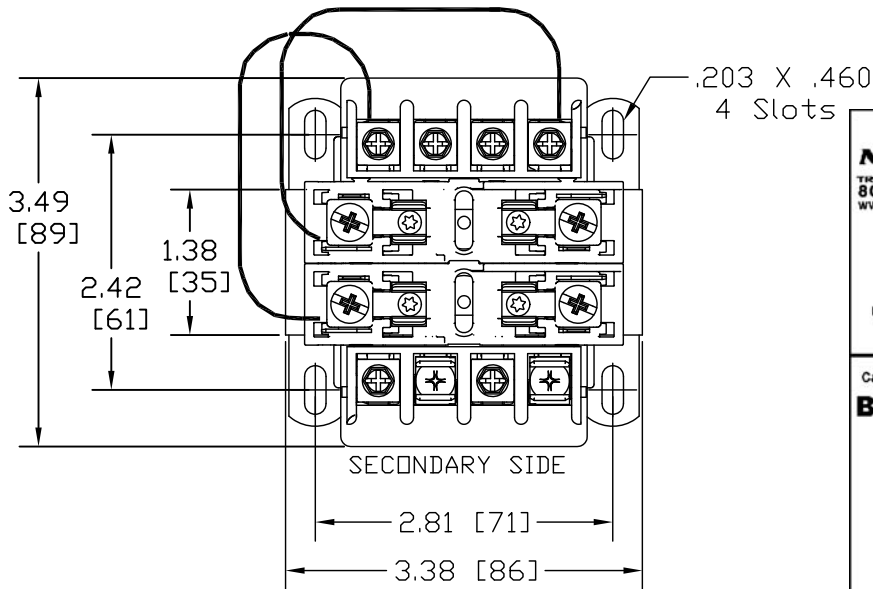


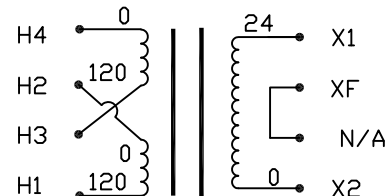
PRIMARY SIDE



Transformer Specifications	
PRIMARY VOLTAGE(S)	120x240
SECONDARY VOLTAGE(S)	24
RATED V.A.	100
RATED FREQUENCY	50/60
INSULATION CLASS	105
AGENCY APPROVALS	UL, CUL
ESTIMATED WEIGHT	4.2 LBS

PRIMARY SIDE

SECONDARY SIDE



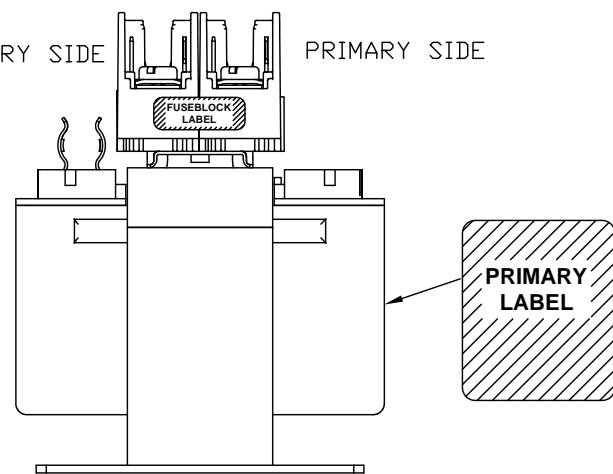
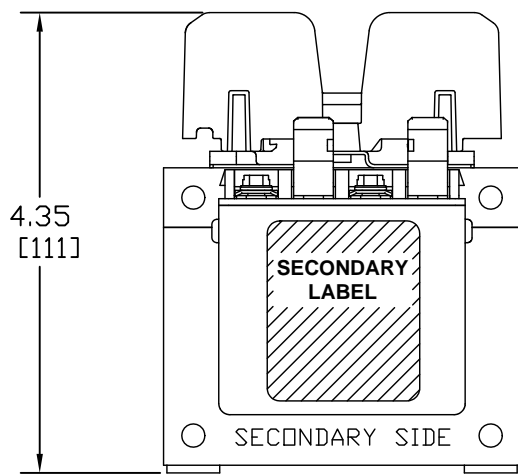
INTERNALLY JUMPED TO FUSE TERMINAL CONNECTION DIAGRAM

NOTES:

1. ALL MEASUREMENTS IN INCHES (MM)
2. TERMINAL SCREWS ARE COMBO #8-32 PHIL-SLOT-1/4" HEX WITH SEMS WASHER.
3. 2 POLE, CLASS "CC" PRIMARY FUSE BLOCK, ACCOMMODATES TWO 13/32" X 1-1/2" CLASS "CC" FUSES.
4. SECONDARY FUSE CLIP ACCOMMODATES ONE 13/32" X 1-1/2" MIDGET FUSE.

SECONDARY SIDE

PRIMARY SIDE



H4 H2 H3 H1

**ImperviTRAN**  
U.S. PAT. NO. 3518040

**MICRON CONTROL TRANSFORMERS**  
100 VA  
50/60 HZ  
TEMP CL 105 °C

UL LISTED 702X 04194

CAT. NO. **B100LP7RB**

X2 - XF X1

CAT. NO. **B100LP7RB**

H4

H1

PACKAGED ACCESSORIES			
1	ONE PAIR OF JUMPERS		
-	-		
<p><b>MICRON INDUSTRIES CORPORATION</b> 1211 W. 22nd STREET, Suite 200, DAK BROOK, ILL. Tel. (800)664-4660, (630)516-1222 Fax (630)516-1820 www.MicronPower.com</p>			
DATE	12/13/18	DRAWN	J.A.W.
CHECKED		APPROVED	
RELEASE DATE		CUSTOMER PART NO.	
MICRON PART NO.	B100LP7RBA3 B100LP7RBB3		
SIZE	C	SCALE	NONE
<b>B100LP7RB</b>			

REV	DESCRIPTION	DATE	BY
B	BASE MODEL CONVERSION	AN006467	JW 11/19/19
A	I3 CONSTRUCTION	AN006303	JW 12/13/18
ECL	REVISIONS		BY DATE