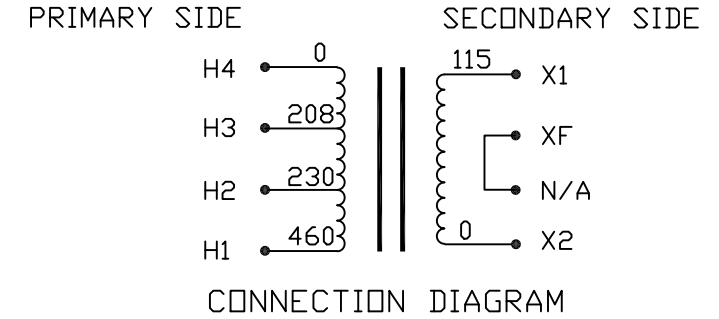
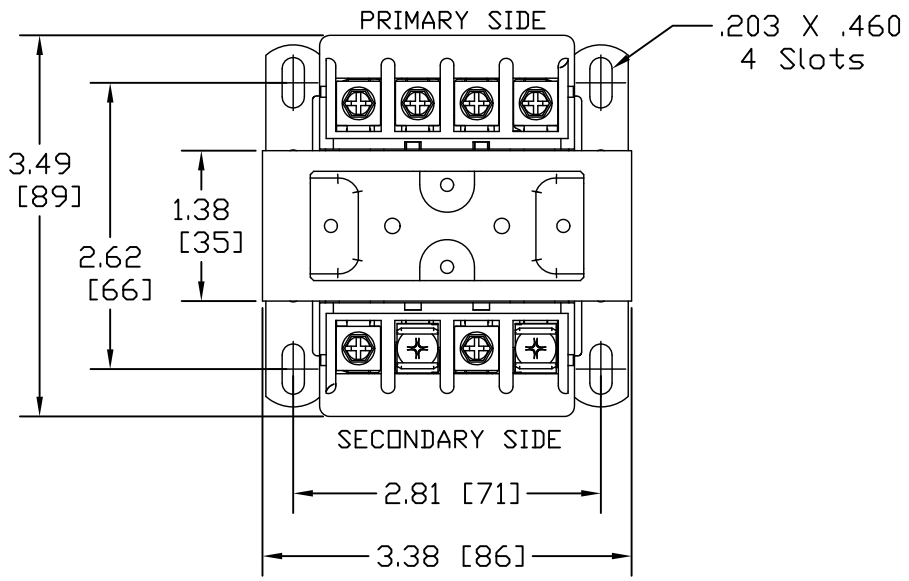
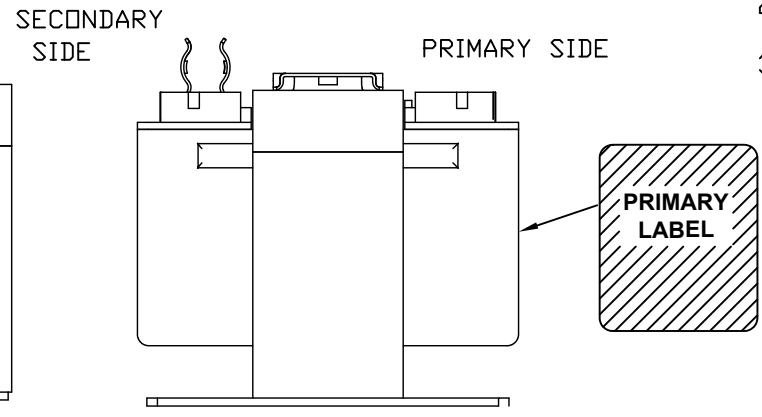
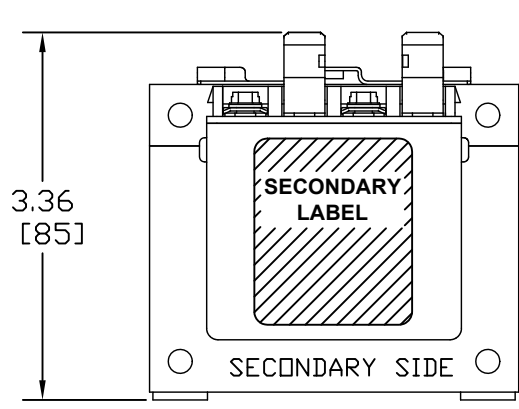


Transformer Specifications	
PRIMARY VOLTAGE(S)	208/230/460
SECONDARY VOLTAGE(S)	115
RATED V.A.	100
RATED FREQUENCY	50/60
INSULATION CLASS	105
AGENCY APPROVALS	UL, CUL
ESTIMATED WEIGHT	4.1 LBS



- NOTES:
1. ALL MEASUREMENTS IN INCHES (MM)
  2. TERMINAL SCREWS ARE COMBO #8-32 PHIL-SLOT-1/4" HEX WITH SEMS WASHER.
  3. SECONDARY FUSE CLIP ACCOMMODATES ONE 13/32" X 1-1/2" MIDGET FUSE.



PACKAGED ACCESSORIES	
1	
-	-

**MICRON** CONTROL TRANSFORMER

**MICRON INDUSTRIES CORPORATION**  
1211 W. 22nd STREET, Suite 200, DAK BROOK, ILL.  
Tel: (800)664-4660, (630)516-1222 Fax (630)516-1820  
www.MicronPower.com

DATE	4/29/09	DRAWN	J.G.V.	CHECKED		APPROVED	
RELEASE DATE		CUSTOMER PART NO.					
MICRON PART NO.	B100MBT13XKA3		B100MBT13XKB3				
SIZE	C	SCALE	NONE		B100MBT13XK		

A	I3 CONSTRUCTION	AN00XXXX	XX	XXXX
ECL	REVISIONS		BY	DATE